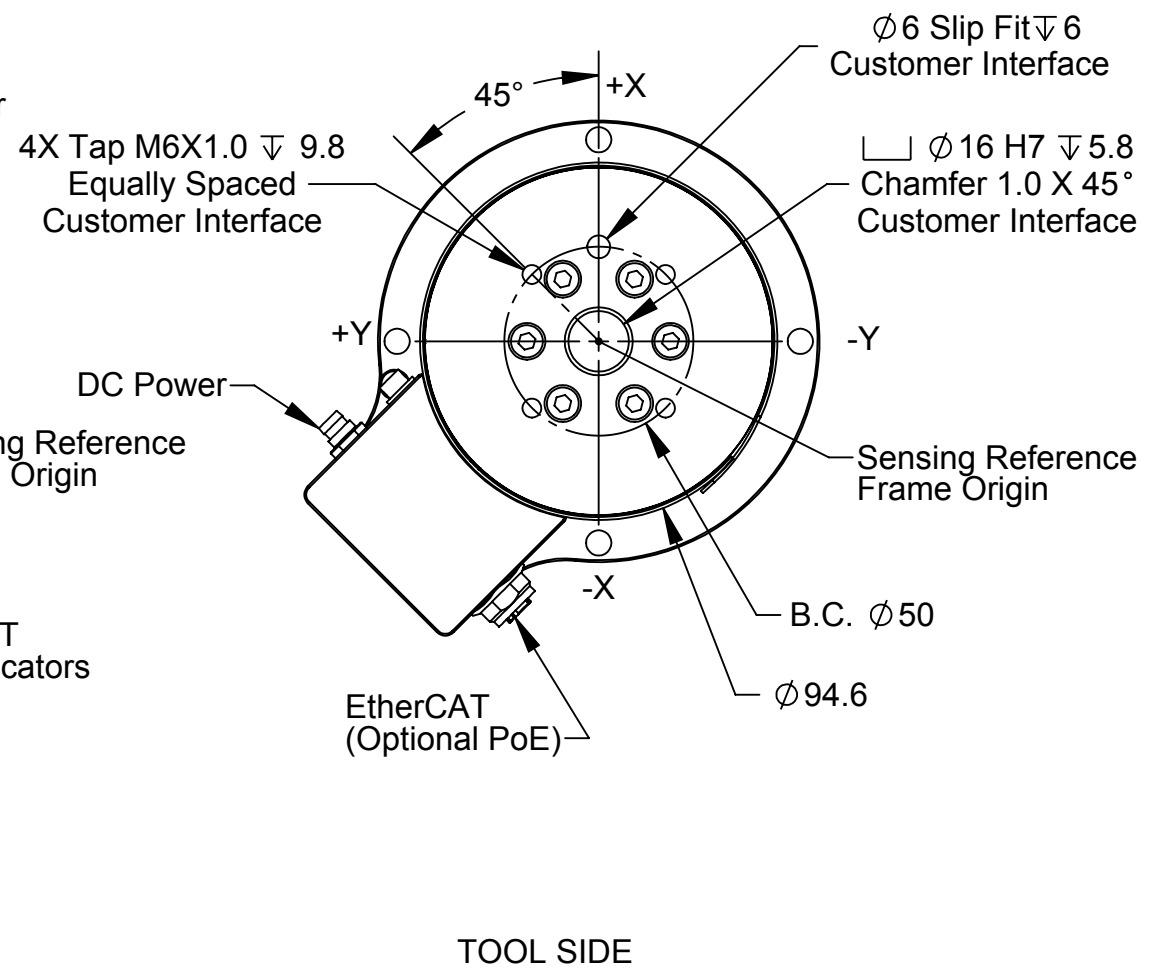
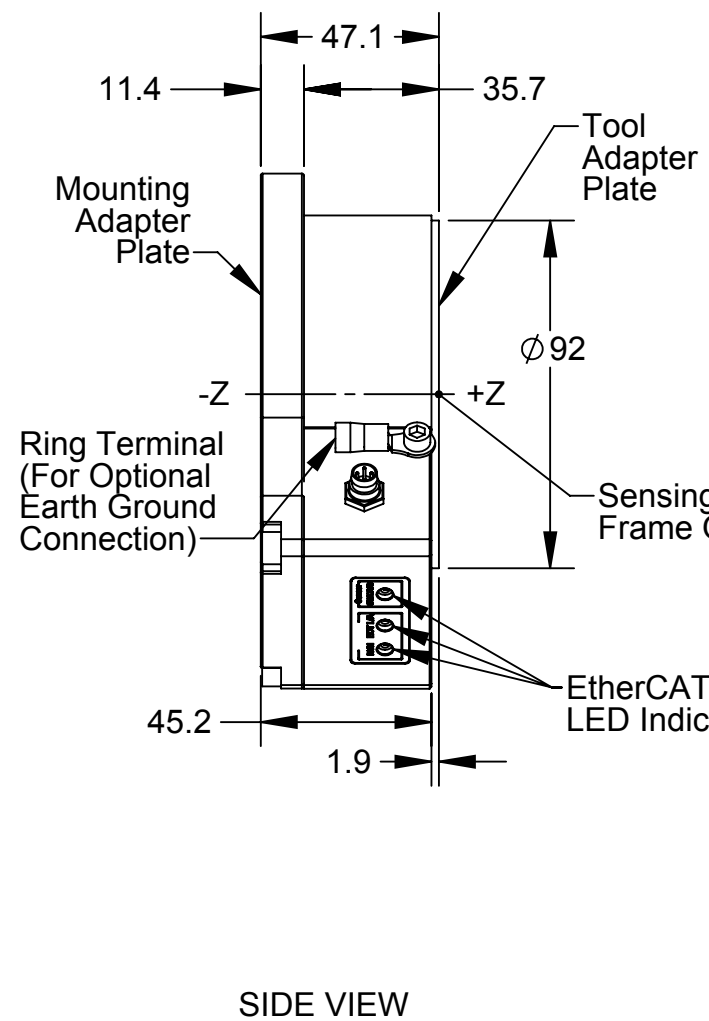
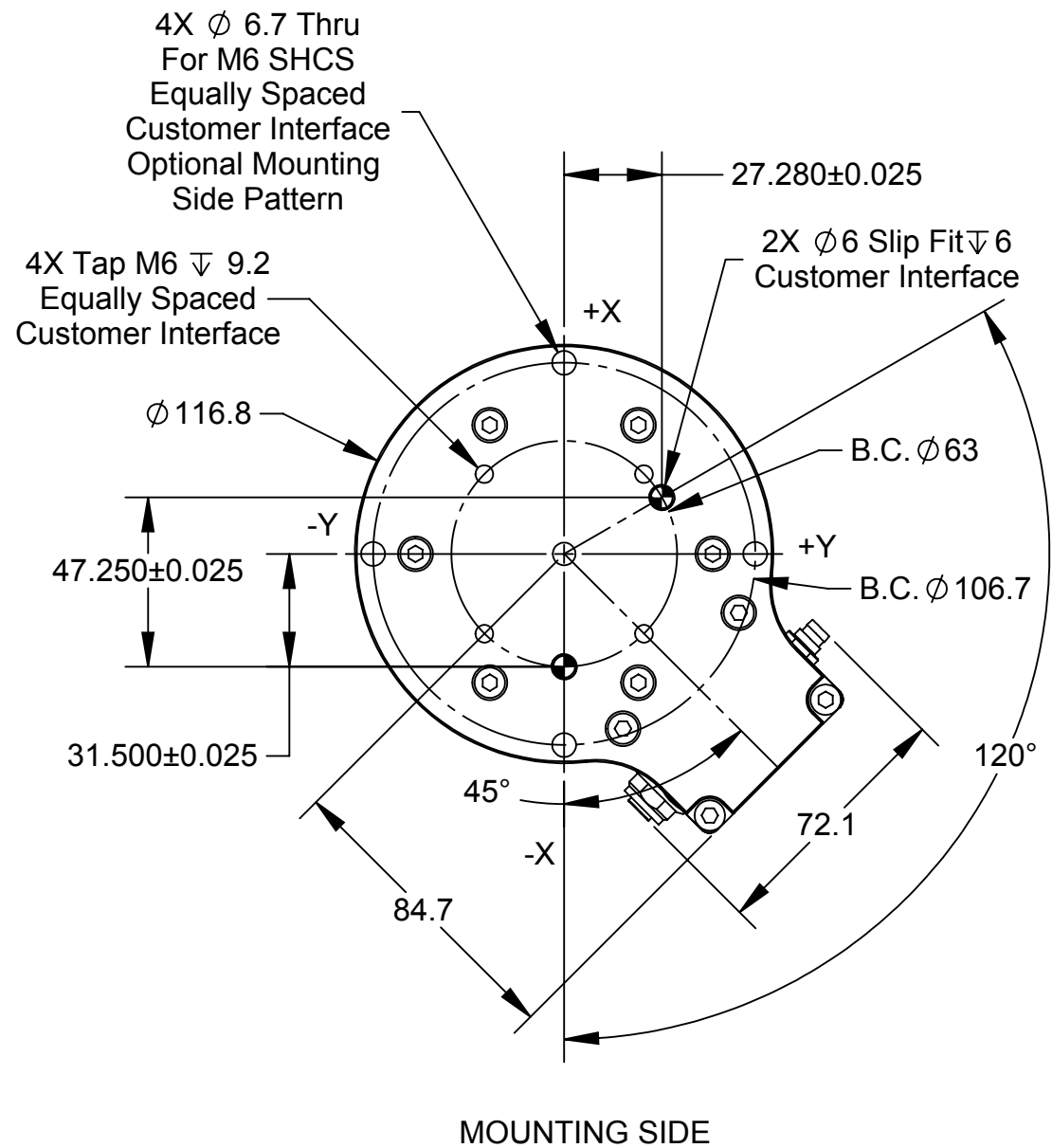


Rev.	Description	Initiator	Date
01	Initial Release	RTD	12/5/2016



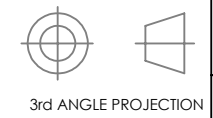
- Notes:
1. Material: Stainless Steel and Aluminum
 2. Sensing Reference Frame Origin at surface center of Tool Adapter.
 3. Do not disassemble transducer. Doing so could damage transducer and will void warranty.
 4. For best accuracy, transducer must be mounted to a surface rigid enough to support loads without deflection.

NOTES: UNLESS OTHERWISE SPECIFIED.
DO NOT SCALE DRAWING. ALL DIMENSIONS ARE IN MILLIMETERS.



1031 Goodworth Drive, Apex, NC 27539, USA
Tel: +1.919.772.0115 Email: info@ati-ia.com
Fax: +1.919.772.8259 www.ati-ia.com
ISO 9001 Registered Company

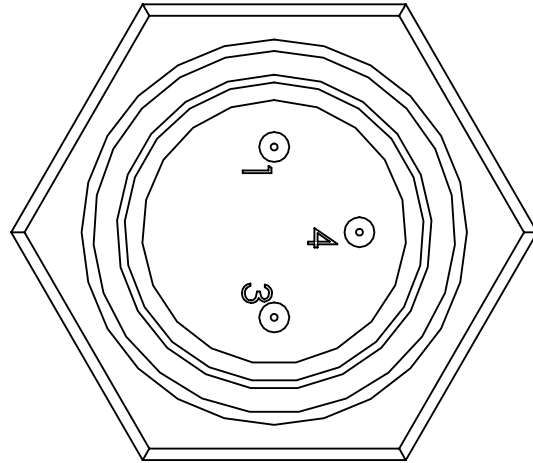
PROPERTY OF ATI INDUSTRIAL AUTOMATION, INC. NOT TO BE REPRODUCED IN ANY MANNER EXCEPT ON ORDER OR WITH PRIOR WRITTEN AUTHORIZATION OF ATI.



DRAWN BY: R.Dupree 12/2/16		TITLE	
CHECKED BY: A.Glusiec 12/5/16		IP60 DeltaTransducer with EtherCAT Electronics	
PROJECT #	150121-1	SHEET	1 OF 2
SCALE	1:2	SIZE	B
DRAWING NUMBER	9230-05-1510	REVISION	01

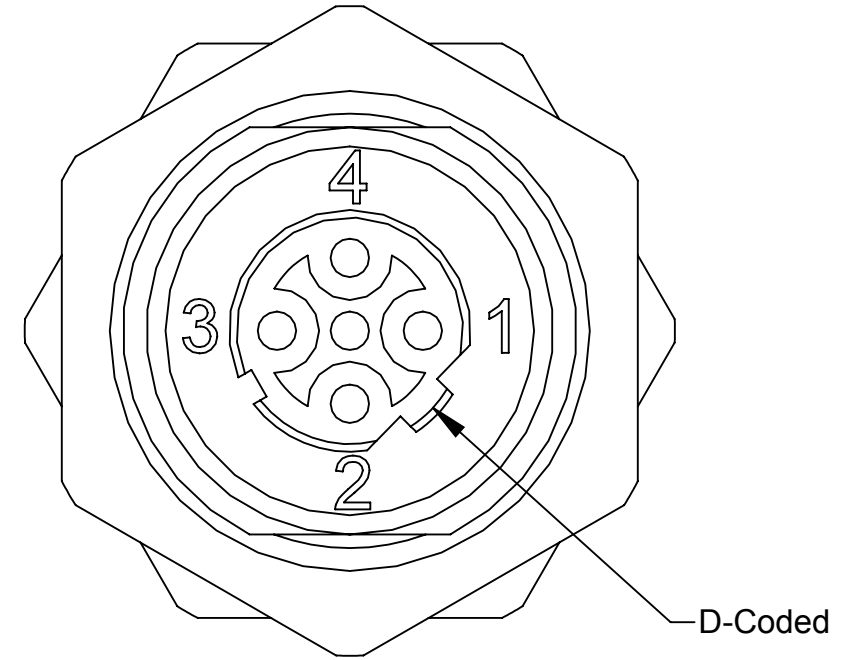
Rev.	Description	Initiator	Date
-	See Sheet1	-	-

Pin No.	Signal
1	V+
3	GND
4	N/C

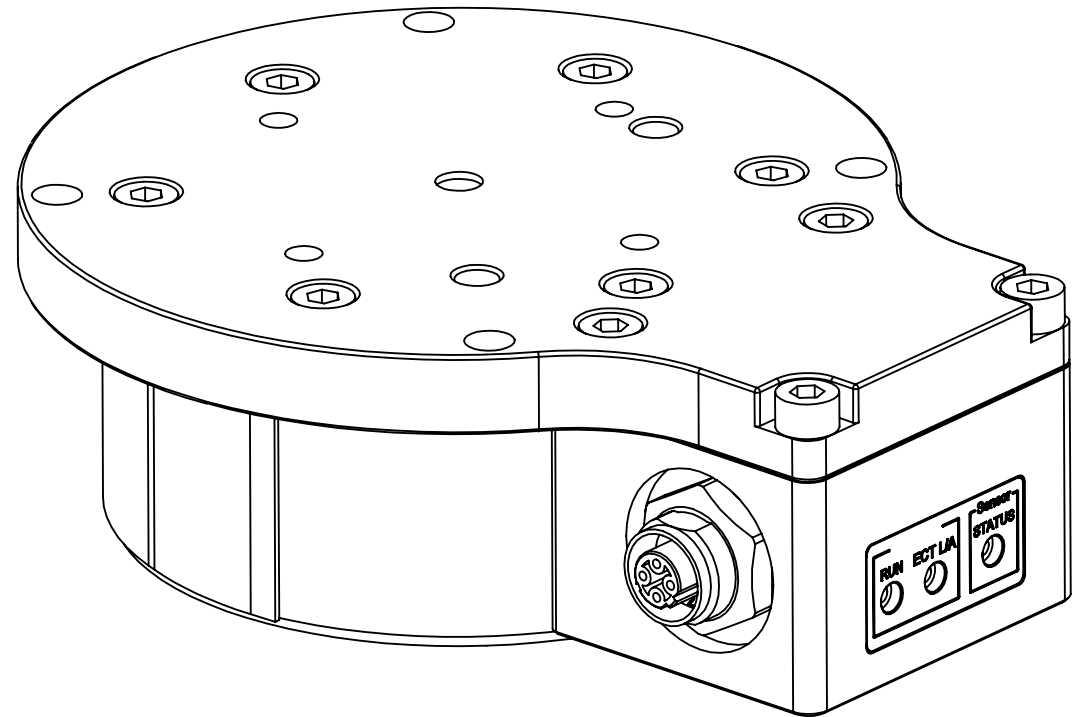


DC Power Connector
3-Pin Male M8

Pin No.	Signal
1	TX+
2	RX+
3	TX-
4	RX-
Shell	Connector Block Housing



EtherCAT Connector
4-Pin Female M12 D-Coded



ISOMETRIC VIEW

NOTES: UNLESS OTHERWISE SPECIFIED.

DO NOT SCALE DRAWING.
ALL DIMENSIONS ARE IN MILLIMETERS.



3rd ANGLE PROJECTION



1031 Goodworth Drive, Apex, NC 27539, USA
Tel: +1.919.772.0115 Email: info@ati-ia.com
Fax: +1.919.772.8259 www.ati-ia.com
ISO 9001 Registered Company

PROPERTY OF ATI INDUSTRIAL AUTOMATION, INC. NOT TO BE REPRODUCED IN ANY MANNER EXCEPT ON ORDER OR WITH PRIOR WRITTEN AUTHORIZATION OF ATI.

DRAWN BY: R.Dupree 12/2/16		TITLE	
CHECKED BY: A.Glusiec 12/5/16		IP60 DeltaTransducer with EtherCAT Electronics	
PROJECT #	150121-1	SHEET	2 OF 2
SCALE	1:2	SIZE	B
DRAWING NUMBER	9230-05-1510	REVISION	01