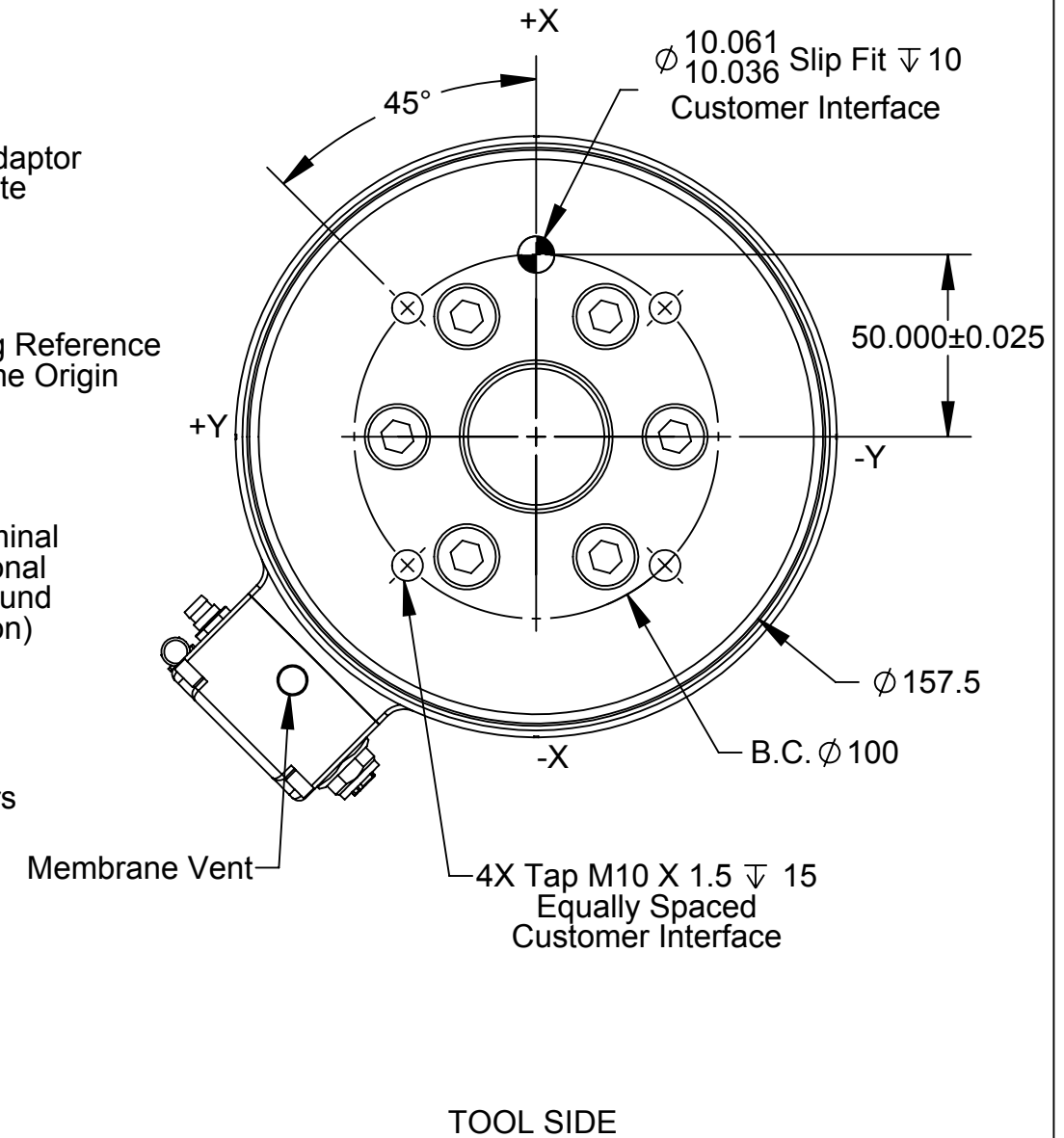
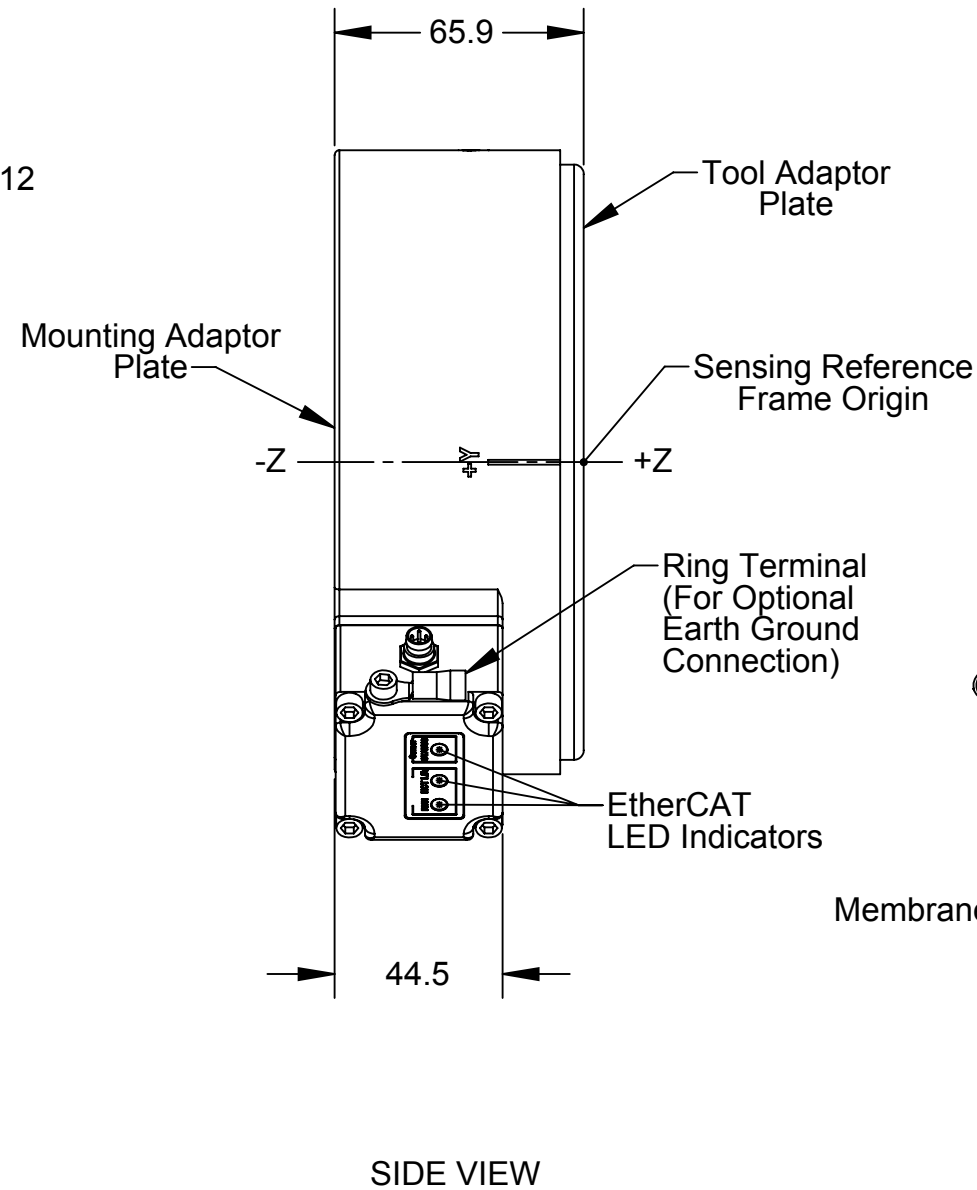
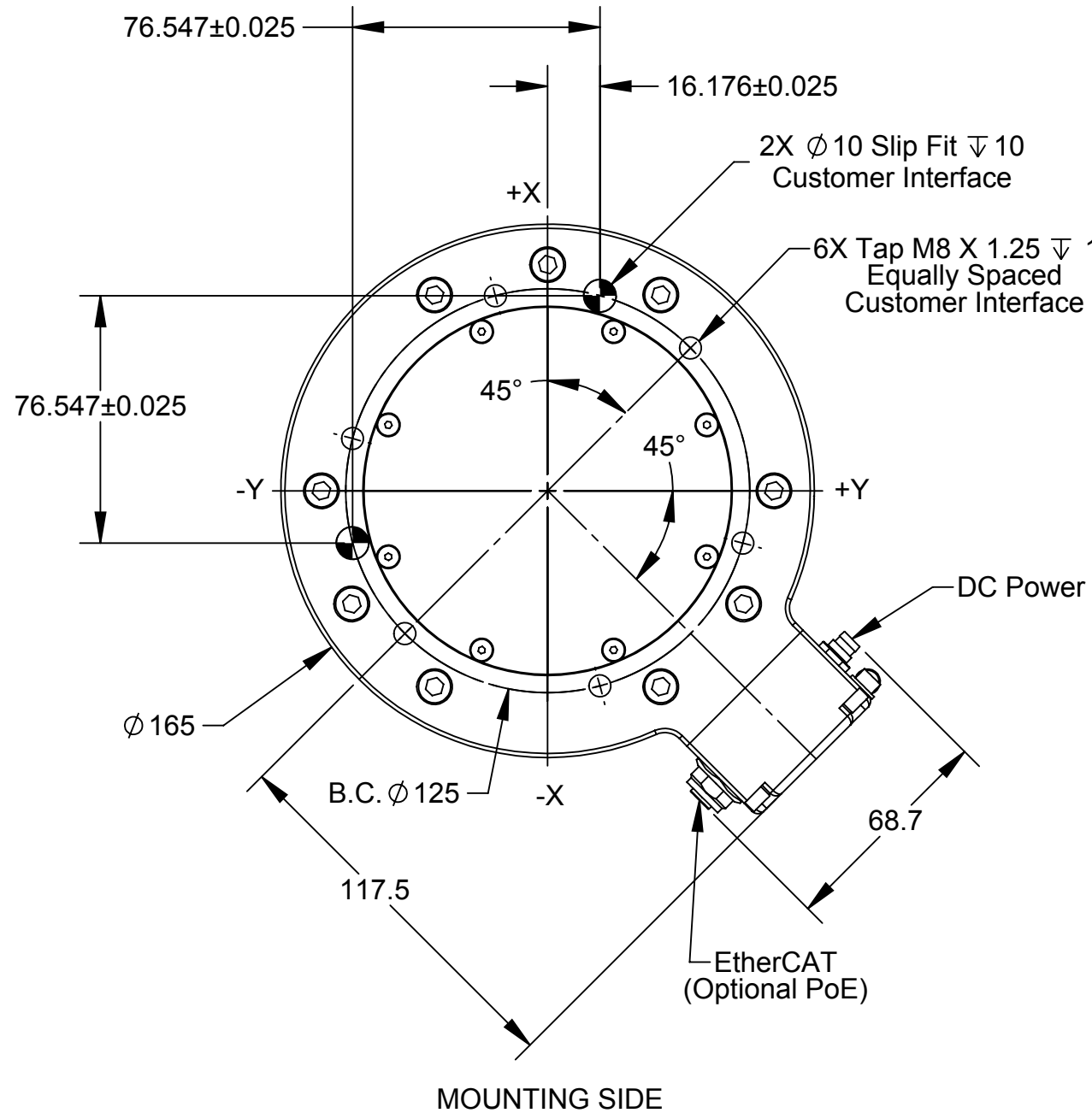


Rev.	Description	Initiator	Date
01	Initial Drawing	RD	4/13/2016



- Notes:
1. Material: Stainless Steel and Aluminum
 2. Sensing Reference Frame Origin at surface center of Tool Adapter.
 3. Do not disassemble transducer. Doing so could damage transducer and will void warranty.
 4. For best accuracy, transducer must be mounted to a surface rigid enough to support loads without deflection.
 5. Cables must be connected to transducer to maintain proper seal.
 6. Cables are IP65 rated only at transducer end.

NOTES: UNLESS OTHERWISE SPECIFIED.

DO NOT SCALE DRAWING. ALL DIMENSIONS ARE IN MILLIMETERS.



3rd ANGLE PROJECTION

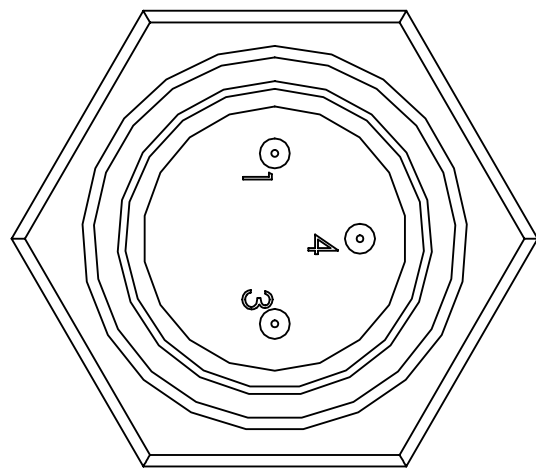


1031 Goodworth Drive, Apex, NC 27539, USA
 Tel: +1.919.772.0115 Email: info@ati-ia.com
 Fax: +1.919.772.8259 www.ati-ia.com
 ISO 9001 Registered Company

PROPERTY OF ATI INDUSTRIAL AUTOMATION, INC. NOT TO BE REPRODUCED IN ANY MANNER EXCEPT ON ORDER OR WITH PRIOR WRITTEN AUTHORIZATION OF ATI.

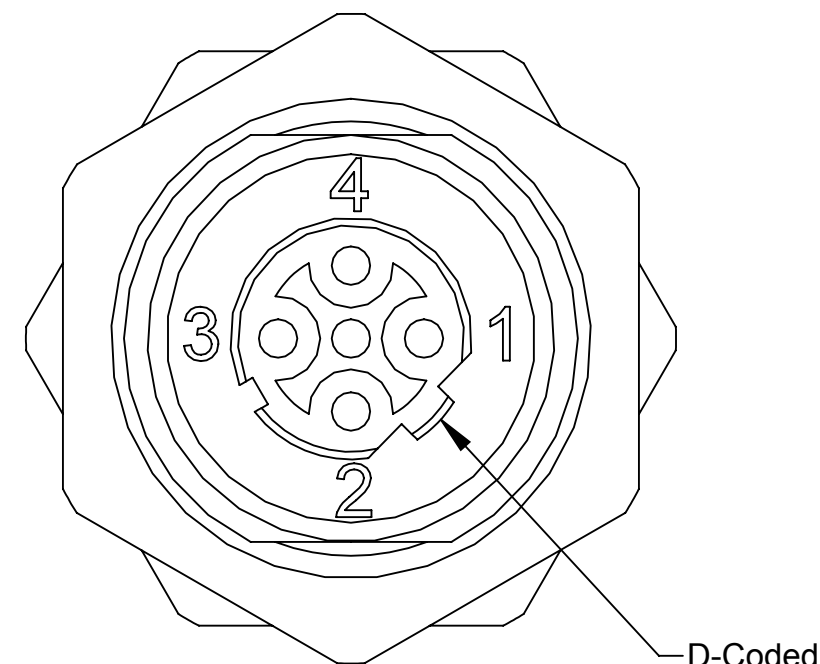
DRAWN BY: R. Dupree, 04/08/16		TITLE	
CHECKED BY: L. Fisher, 04/12/16		IP65 Omega 160 Transducer with EtherCAT Electronics	
PROJECT # 160331-5	SHEET 1 OF 2	SCALE 1:2	SIZE B
		DRAWING NUMBER 9230-05-1499	REVISION 01

Pin No.	Signal
1	V+
3	GND
4	N/C

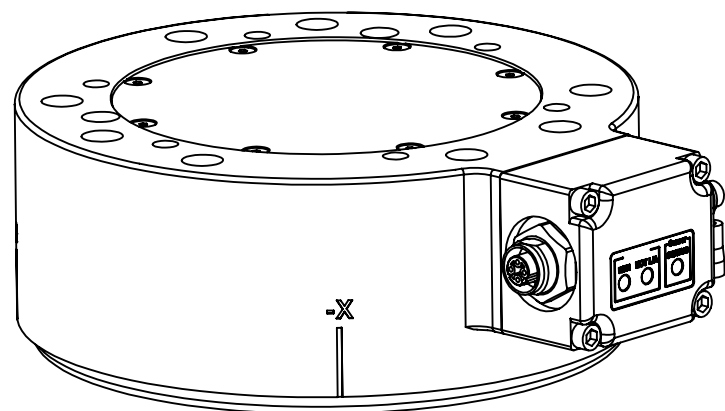


DC Power Connector
3-Pin Male M8

Pin No.	Signal
1	TX+
2	RX+
3	TX-
4	RX-
Shell	Connector Block Housing



EtherCAT Connector
4-Pin Female M12 D-Coded



ISOMETRIC VIEW

NOTES: UNLESS OTHERWISE SPECIFIED.

DO NOT SCALE DRAWING. ALL DIMENSIONS ARE IN MILLIMETERS.



3rd ANGLE PROJECTION



1031 Goodworth Drive, Apex, NC 27539, USA
Tel: +1.919.772.0115 Email: info@ati-ia.com
Fax: +1.919.772.8259 www.ati-ia.com
ISO 9001 Registered Company

PROPERTY OF ATI INDUSTRIAL AUTOMATION, INC. NOT TO BE REPRODUCED IN ANY MANNER EXCEPT ON ORDER OR WITH PRIOR WRITTEN AUTHORIZATION OF ATI.

DRAWN BY: R. Dupree, 04/08/16		TITLE		
CHECKED BY: L. Fisher, 04/12/16		IP65 Omega 160 Transducer with EtherCAT Electronics		
PROJECT #	160331-5	SHEET	2	OF 2
SCALE	1:2	SIZE	B	DRAWING NUMBER
				9230-05-1499
				REVISION
				01