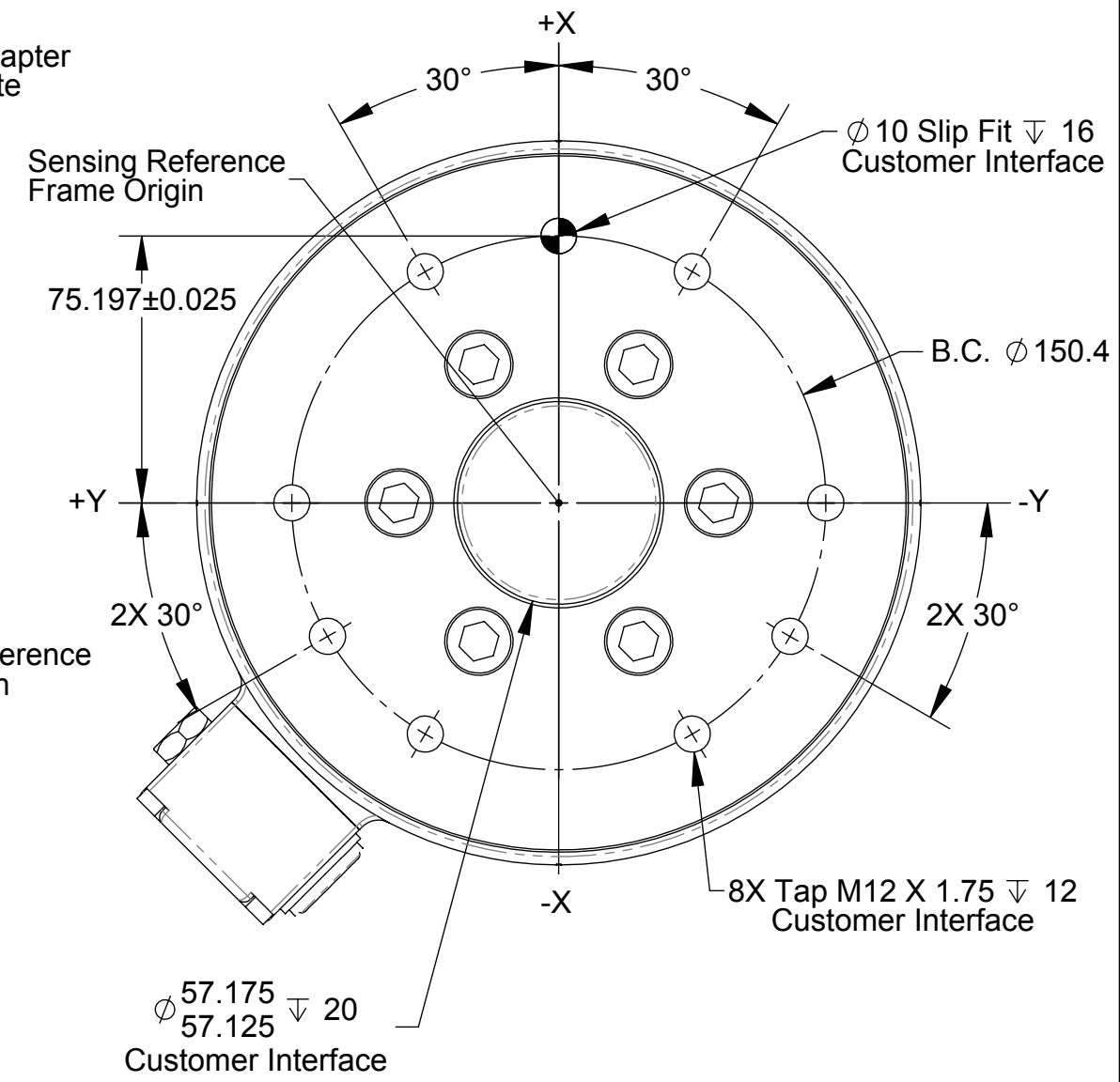
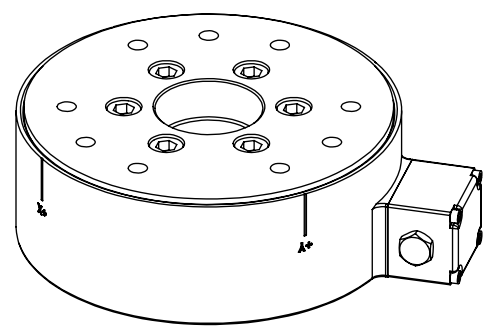


SIDE VIEW



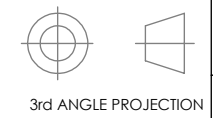
TOOL SIDE



ISOMETRIC VIEW

- Notes:
1. Material: Stainless Steel
  2. Sensing Reference Frame Origin at surface center of Tool Adapter.
  3. Do not disassemble transducer. Doing so could damage transducer and will void warranty.
  4. For best accuracy, transducer must be mounted to a surface rigid enough to support loads without deflection.
  5. Cable must be connected to transducer to maintain proper seal.
  6. Cable is only IP68 rated only at transducer end. Transducer is IP68 rated in freshwater environment at a depth of up to 10 meters.

NOTES: UNLESS OTHERWISE SPECIFIED.  
DO NOT SCALE DRAWING. ALL DIMENSIONS ARE IN MILLIMETERS.



1031 Goodworth Drive, Apex, NC 27539, USA  
Tel: +1.919.772.0115 Email: info@ati-ia.com  
Fax: +1.919.772.8259 www.ati-ia.com  
ISO 9001 Registered Company

PROPERTY OF ATI INDUSTRIAL AUTOMATION, INC. NOT TO BE REPRODUCED IN ANY MANNER EXCEPT ON ORDER OR WITH PRIOR WRITTEN AUTHORIZATION OF ATI.

DRAWN BY: L. Fisher, 7/17/2014		TITLE	
CHECKED BY: E. Bradford, 7/30/2014		IP68-10m Omega191 Transducer	
PROJECT # 140627-1	SHEET 1 OF 1	SCALE 1:2	SIZE B
		DRAWING NUMBER 9230-05-1472	REVISION 01