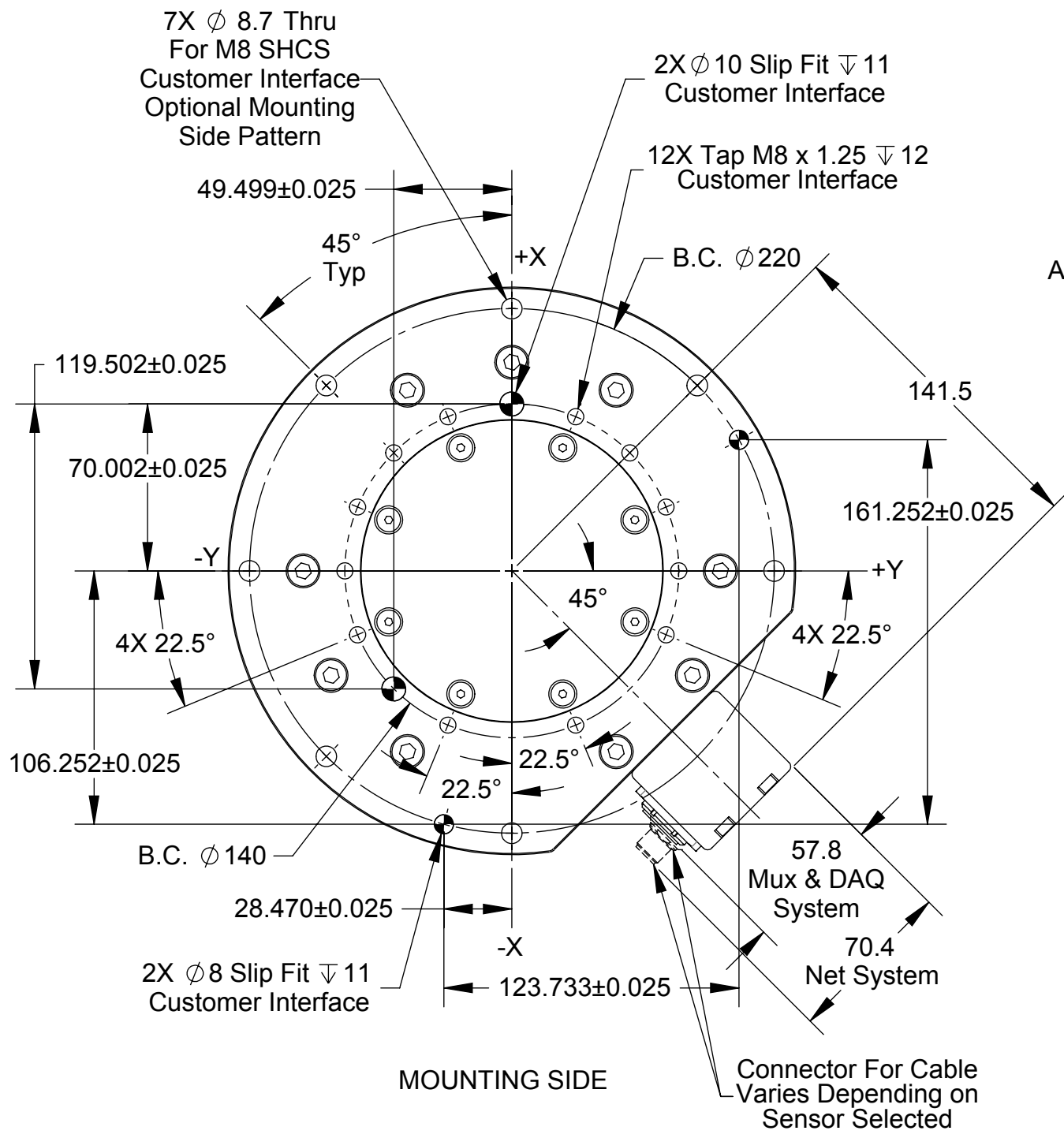
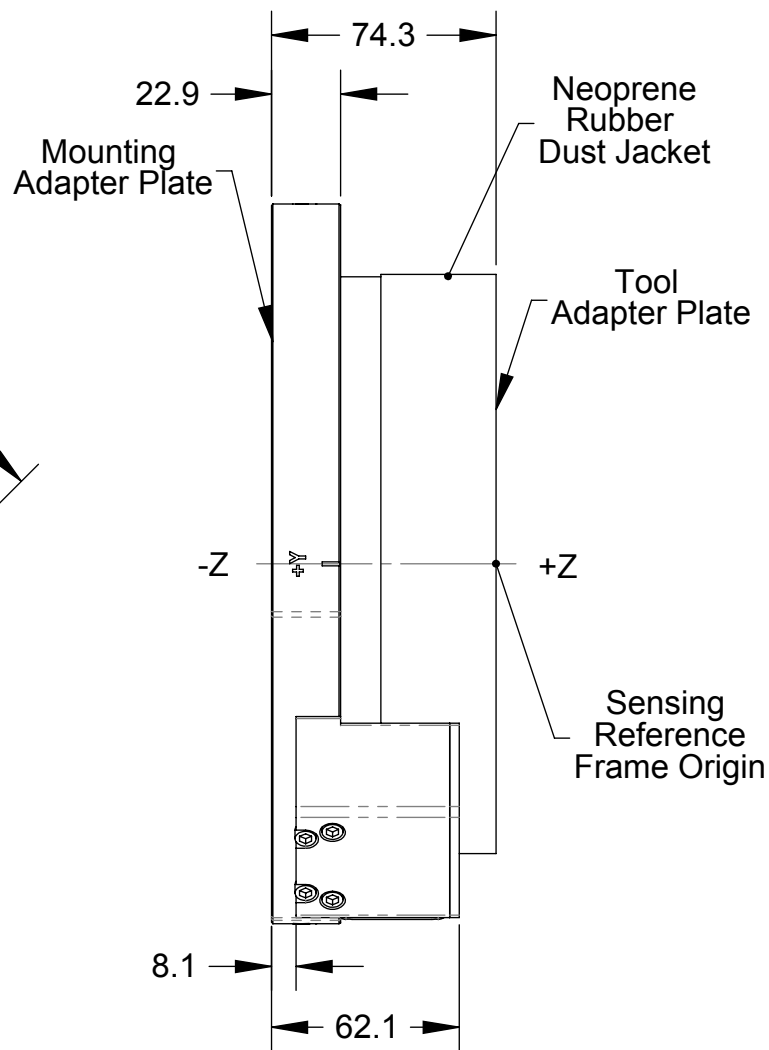


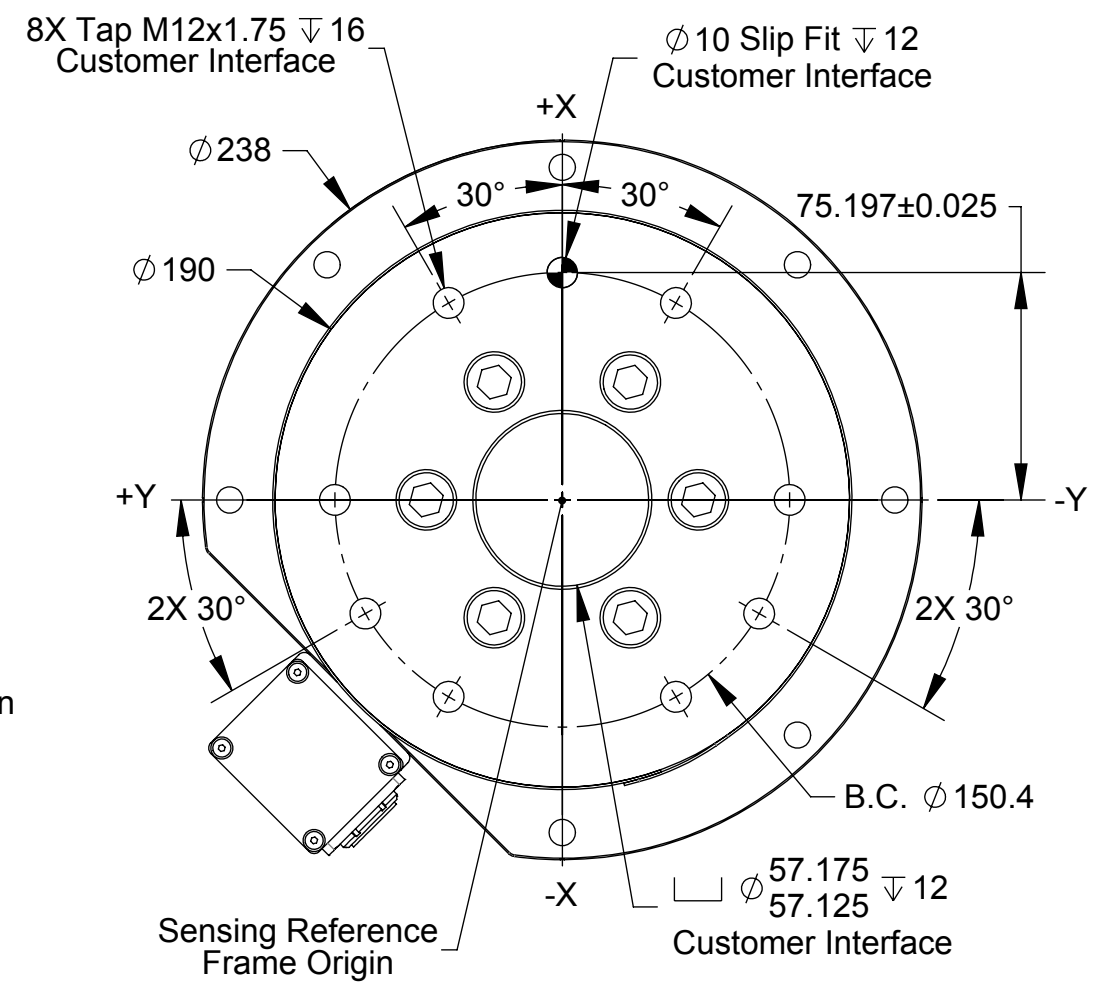
Rev.	Description	Initiator	Date
01	Release	LTF	7/29/2014



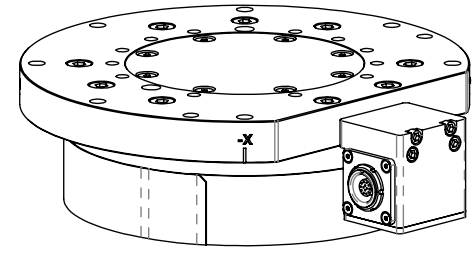
MOUNTING SIDE



SIDE VIEW



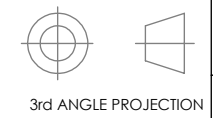
TOOL SIDE



ISOMETRIC VIEW

- Notes:
1. Material: Hardened Steel, Stainless Steel and Aluminum
  2. Sensing Reference Frame Origin at surface center of Tool Adapter.
  3. Do not disassemble transducer. Doing so could damage transducer and will void warranty.
  4. For best accuracy, transducer must be mounted to a surface rigid enough to support loads without deflection.

NOTES: UNLESS OTHERWISE SPECIFIED.  
DO NOT SCALE DRAWING. ALL DIMENSIONS ARE IN MILLIMETERS.



1031 Goodworth Drive, Apex, NC 27539, USA  
Tel: +1.919.772.0115 Email: info@ati-ia.com  
Fax: +1.919.772.8259 www.ati-ia.com  
ISO 9001 Registered Company

PROPERTY OF ATI INDUSTRIAL AUTOMATION, INC. NOT TO BE REPRODUCED IN ANY MANNER EXCEPT ON ORDER OR WITH PRIOR WRITTEN AUTHORIZATION OF ATI.

DRAWN BY: L. Fisher, 5/30/2014		TITLE	
CHECKED BY: A. Pongor, 6/9/2014		IP60 Omega191 Transducer	
PROJECT # -	SHEET 1 OF 1	SCALE	REVISION
		1:2.5	01
		SIZE	DRAWING NUMBER
		B	9230-05-1470