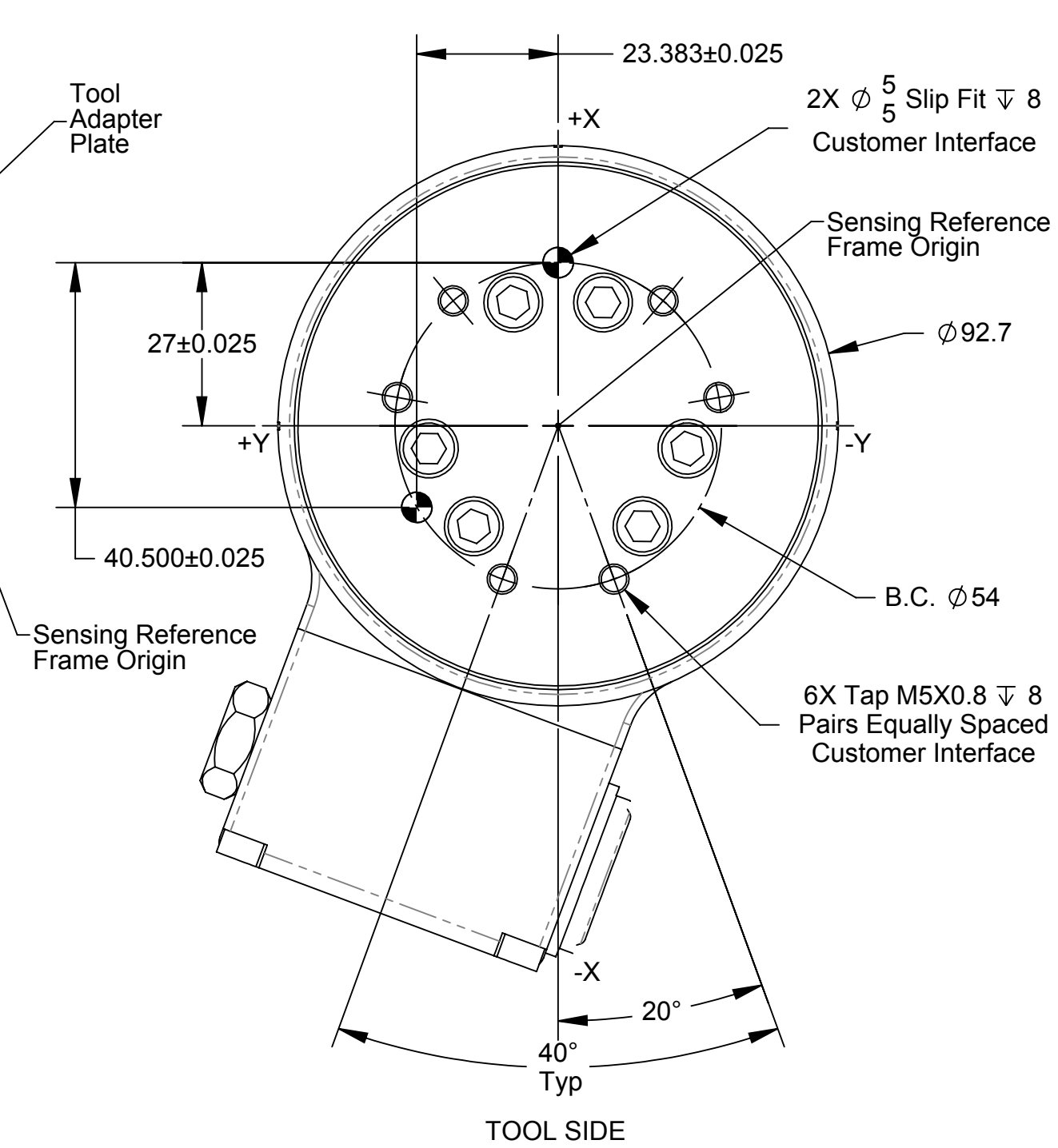
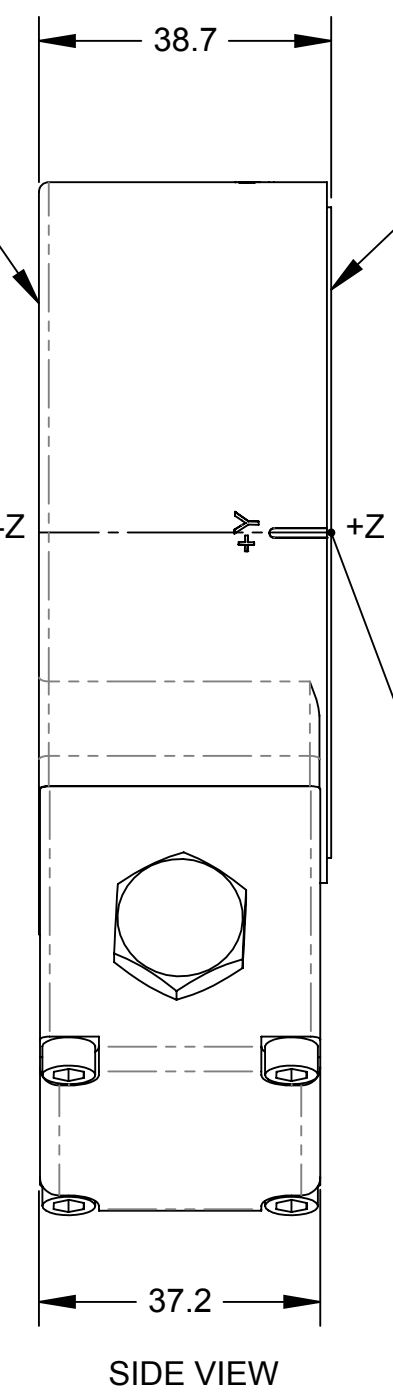
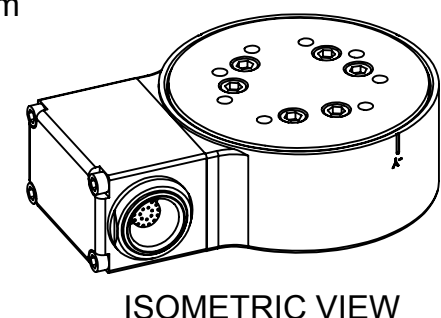
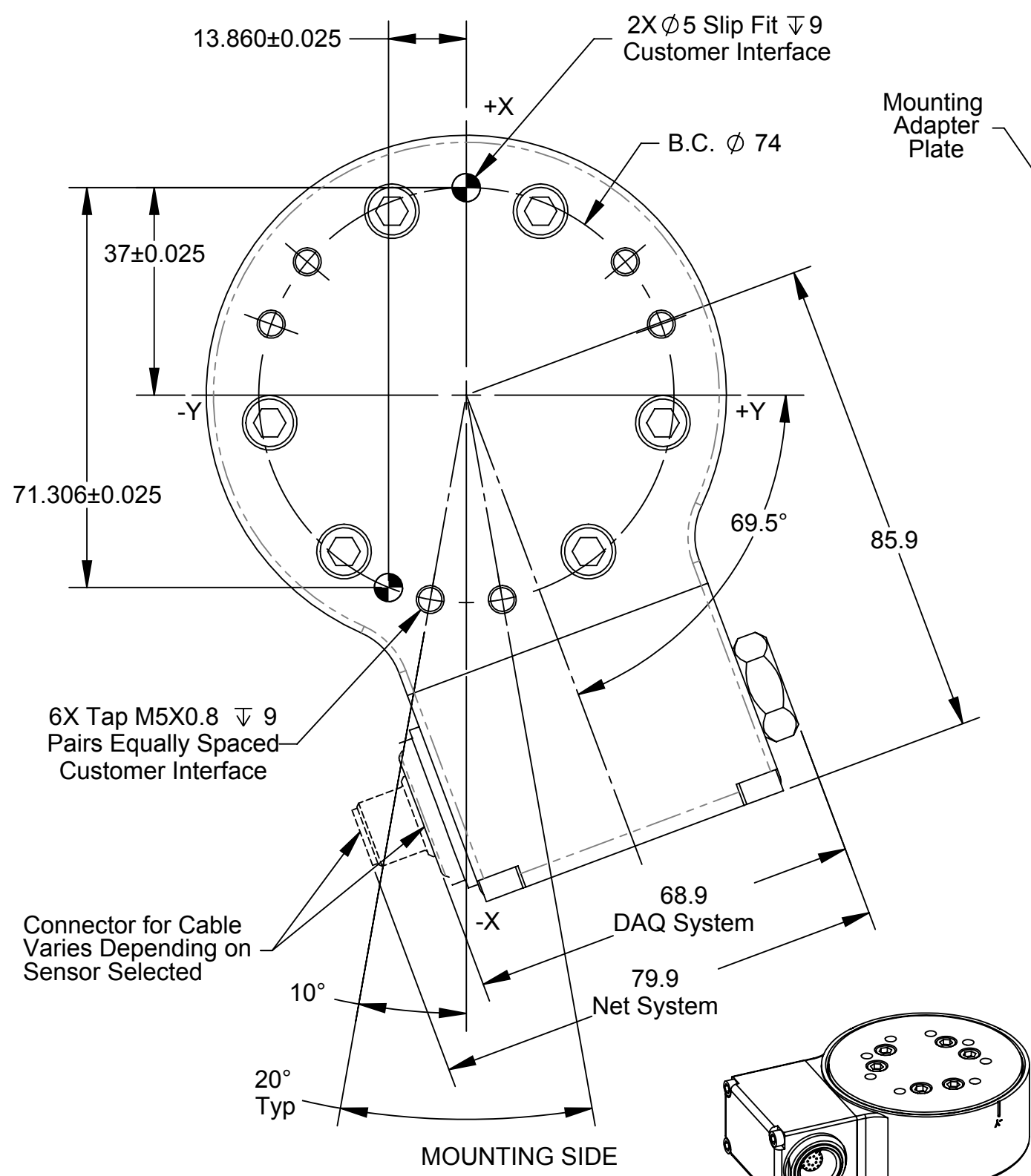


Rev.	Description	Initiator	Date
01	Initial Drawing	RKC	6/29/2011



- Notes:
1. Material: Stainless Steel
  2. Sensing Reference Frame Origin at surface center of Tool Adapter.
  3. Do not disassemble transducer. Doing so could damage the transducer and will void warranty.
  4. For best accuracy, transducer must be mounted to surfaces rigid enough to support loads without deflection.
  5. Cable must be connected to transducer to maintain proper seal.
  6. Cable is only IP68 rated at transducer end.

NOTES: UNLESS OTHERWISE SPECIFIED.  
DO NOT SCALE DRAWING. ALL DIMENSIONS ARE IN MILLIMETERS.



1031 Goodworth Drive, Apex, NC 27539, USA  
Tel: +1.919.772.0115 Email: info@ati-ia.com  
Fax: +1.919.772.8259 www.ati-ia.com  
ISO 9001 Registered Company

PROPERTY OF ATI INDUSTRIAL AUTOMATION, INC. NOT TO BE REPRODUCED IN ANY MANNER EXCEPT ON ORDER OR WITH PRIOR WRITTEN AUTHORIZATION OF ATI.

DRAWN BY: R. Chambers 6/29/11		TITLE	
CHECKED BY: D. Swanson 6/29/11		IP68 Omega85 Transducer	
PROJECT # 101220-1	SHEET 1 OF 1	SCALE 1:1	SIZE B
		DRAWING NUMBER 9230-05-1396	REVISION 01