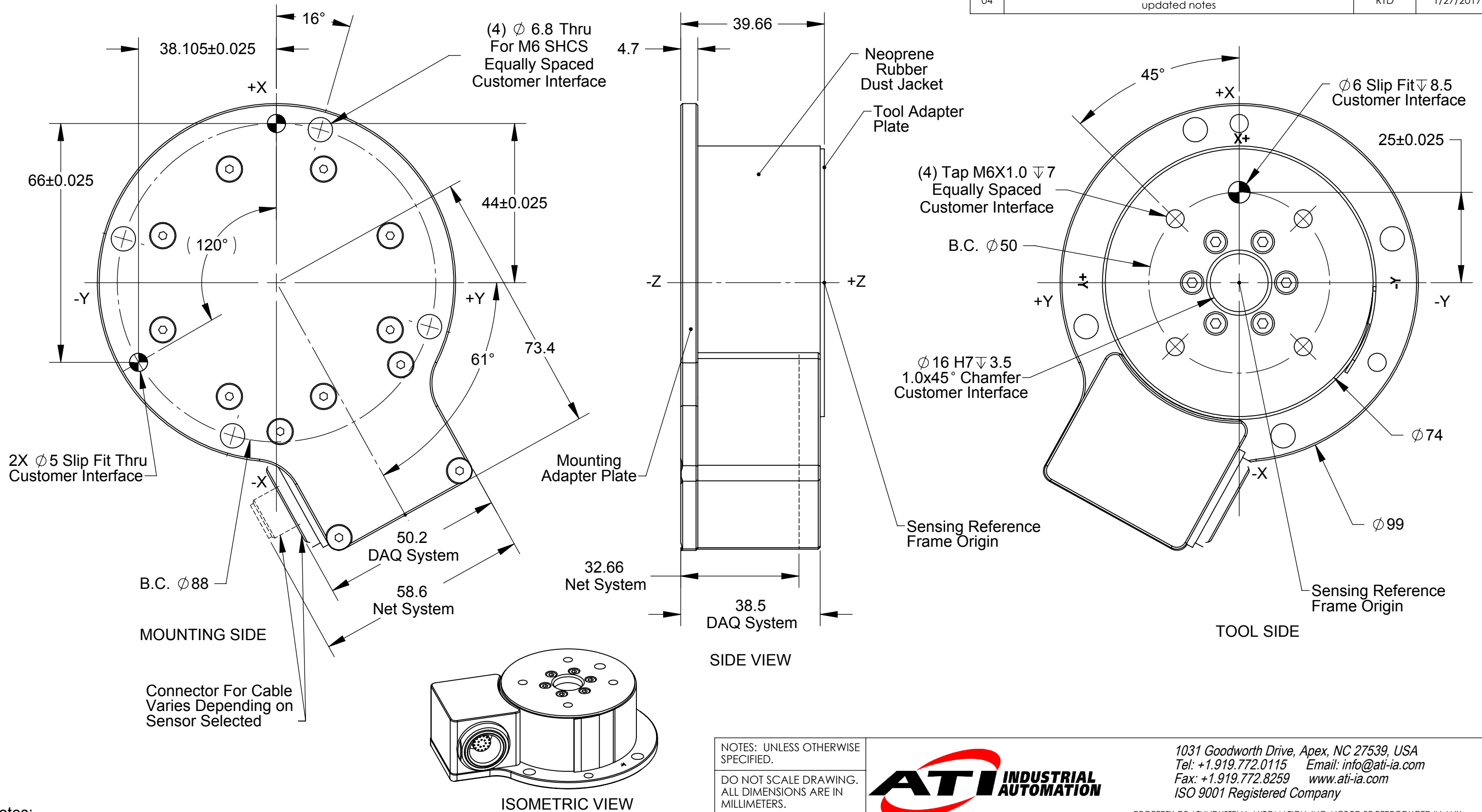


Rev.	Description	Initiator	Date
03	Added Net dimensions	RKC	5/13/2009
04	Eco 15243; Corrected dim 39.66, 32.66, 6mm and 5mm dowels, updated notes	RTD	1/27/2017

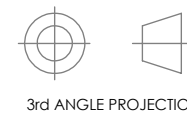


Notes:

1. Material: Stainless Steel and Aluminum
2. Sensing Reference Frame Origin at surface center of Tool Adapter.
3. Do not disassemble transducer. Doing so could damage transducer and will void warranty.
4. For best accuracy, transducer must be mounted to a surface rigid enough to support loads without deflection.

NOTES: UNLESS OTHERWISE SPECIFIED.

DO NOT SCALE DRAWING. ALL DIMENSIONS ARE IN MILLIMETERS.



1031 Goodworth Drive, Apex, NC 27539, USA
 Tel: +1.919.772.0115 Email: info@ati-ia.com
 Fax: +1.919.772.8259 www.ati-ia.com
 ISO 9001 Registered Company

PROPERTY OF ATI INDUSTRIAL AUTOMATION, INC. NOT TO BE REPRODUCED IN ANY MANNER EXCEPT ON ORDER OR WITH PRIOR WRITTEN AUTHORIZATION OF ATI.

DRAWN BY: R. Chambers 6/25/08

CHECKED BY: P.Fusco 6/26/08

PROJECT # 080602-1 SHEET 1 OF 1

TITLE

IP60 Gamma Transducer

SCALE
1:1

SIZE
B

DRAWING NUMBER
9230-05-1335

REVISION
04