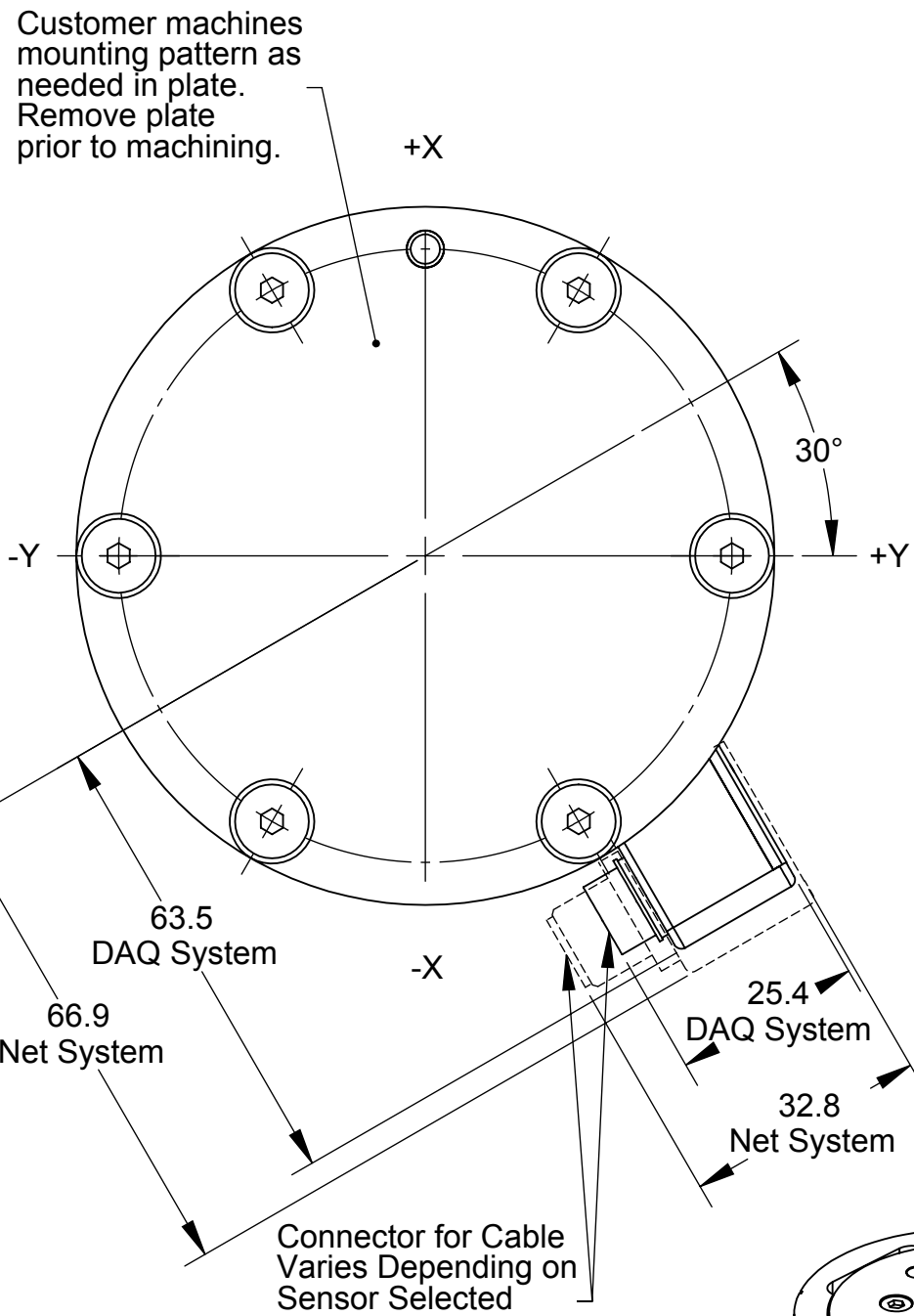
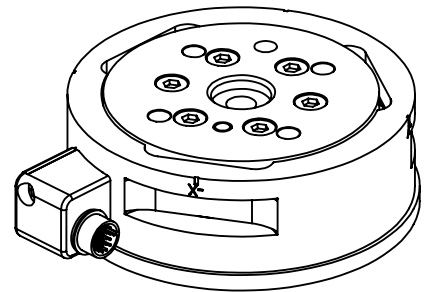


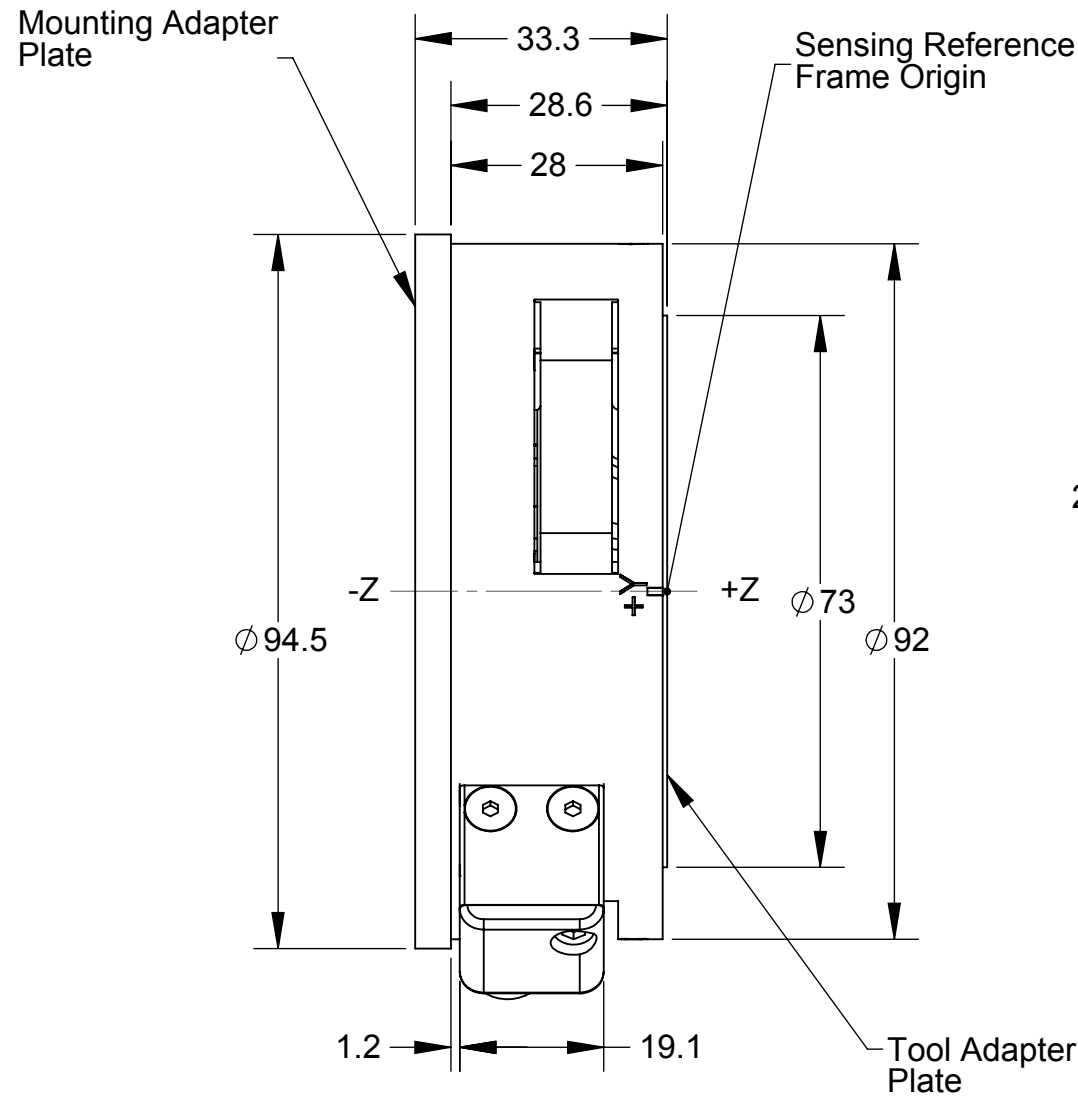
Rev.	Description	Initiator	Date
04	ECO 12940; Added 6mm to "Ø Slip Fit $\nabla$ 5.6 Customer Interface (See Note 3)" callout; Added diameter symbol to 92 dimension; Removed 1.0 x 45° from Ø 16 H7 $\nabla$ 3.6.	TBC	6/1/2015



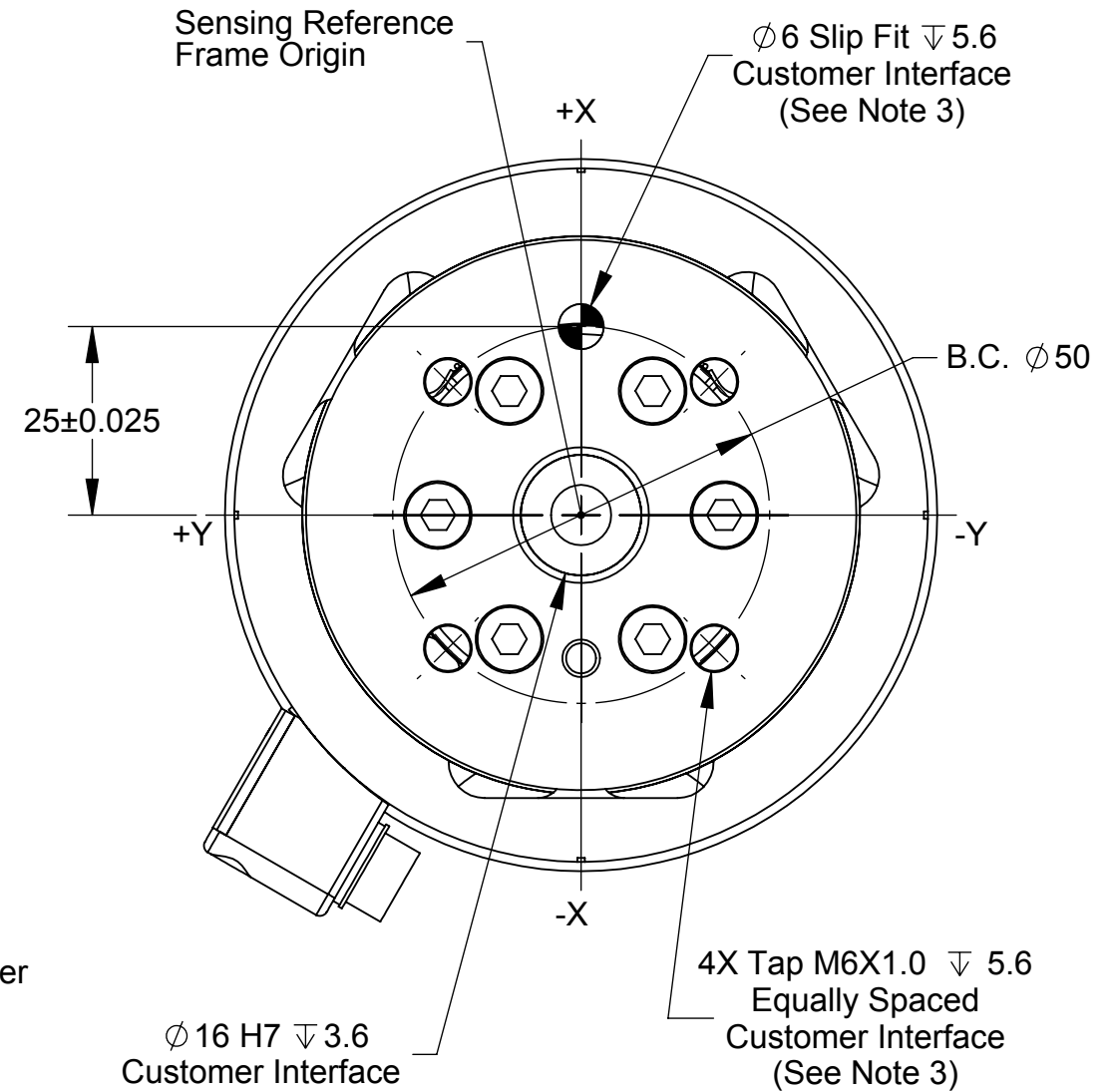
MOUNTING SIDE



ISOMETRIC VIEW



SIDE VIEW



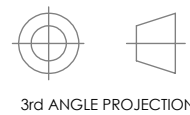
TOOL SIDE

Notes:

1. Material: Hardened Stainless Steel and Aluminum.
2. Do not touch internal electronics or instrumentation. This could damage the transducer and will void the warranty.
3. **DO NOT EXCEED INTERFACE DEPTH, MAY CAUSE DAMAGE.**
4. For best accuracy, transducer must be mounted to a surface rigid enough to support loads without deflection.

NOTES: UNLESS OTHERWISE SPECIFIED.

DO NOT SCALE DRAWING. ALL DIMENSIONS ARE IN MILLIMETERS.



1031 Goodworth Drive, Apex, NC 27539, USA  
 Tel: +1.919.772.0115 Email: info@ati-ia.com  
 Fax: +1.919.772.8259 www.ati-ia.com  
 ISO 9001 Registered Company

PROPERTY OF ATI INDUSTRIAL AUTOMATION, INC. NOT TO BE REPRODUCED IN ANY MANNER EXCEPT ON ORDER OR WITH PRIOR WRITTEN AUTHORIZATION OF ATI.

DRAWN BY: R. Chambers 11/6/08		TITLE	
CHECKED BY: P. Fusco 12/5/08		Delta Transducer	
PROJECT #	SHEET 1 OF 1	SCALE	SIZE
		1:1	B
DRAWING NUMBER		REVISION	
9230-05-1330		04	