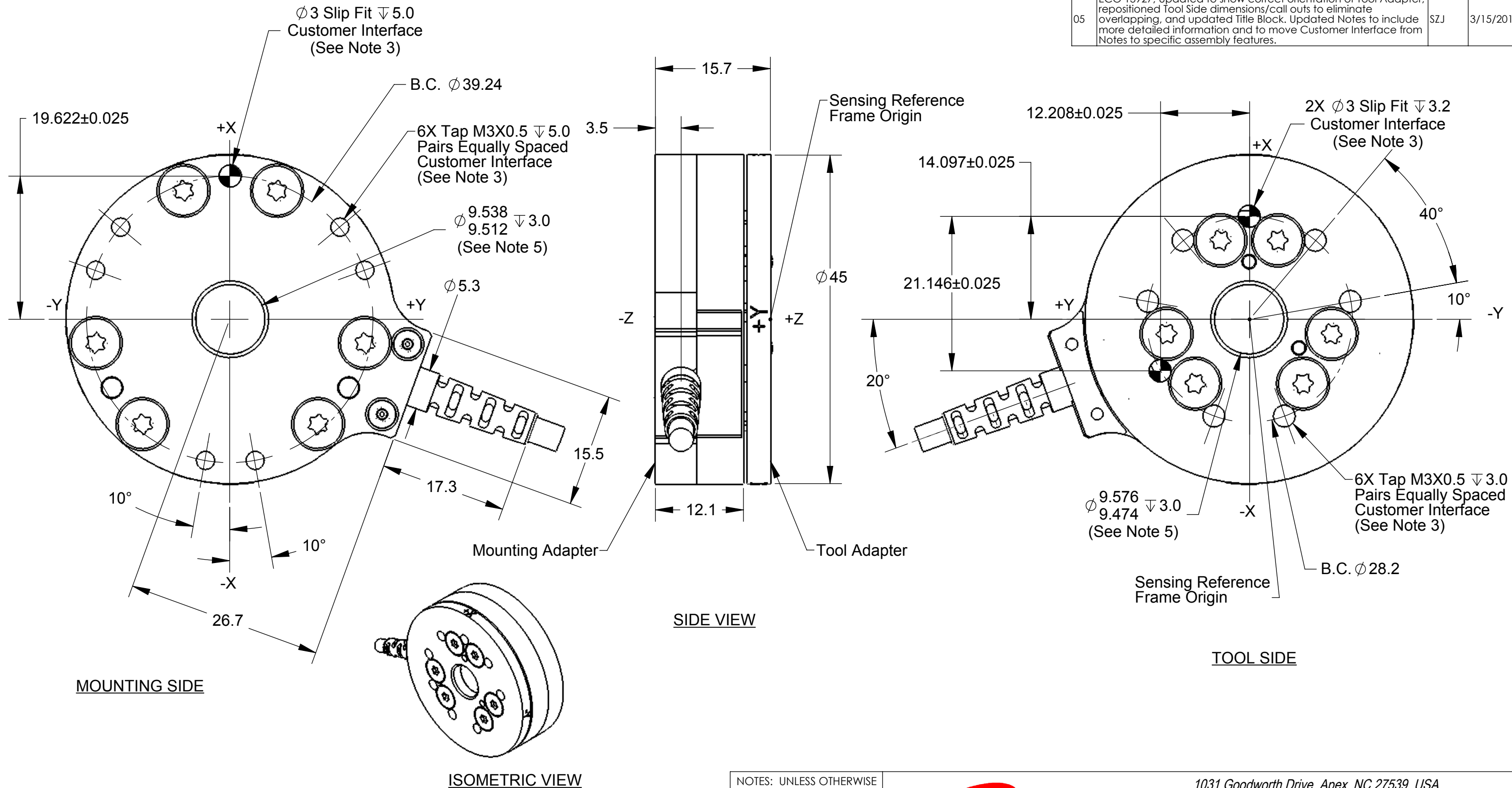


Rev.	Description	Initiator	Date
05	ECO 13927; Updated to show correct orientation of Tool Adapter, repositioned Tool Side dimensions/call outs to eliminate overlapping, and updated Title Block. Updated Notes to include more detailed information and to move Customer Interface from Notes to specific assembly features.	SZJ	3/15/2016

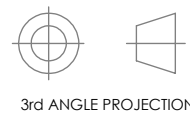


NOTES:

1. Material: Mounting and Tool Adapter made of Aluminum, Transducer made of Stainless Steel.
2. **WARNING: DO NOT LOOSEN OR REMOVE INTERFACE PLATES OR CABLE DUE TO POTENTIAL DAMAGE.**
3. **DO NOT EXCEED INTERFACE DEPTH. MAY CAUSE DAMAGE.**
4. Standard connector (not shown) has 17mm diameter & is 67.5mm long.
5. Do not allow items passing through center hole to touch both the Mounting and Tool Adapter Plates or accuracy will be compromised.

NOTES: UNLESS OTHERWISE SPECIFIED.

DO NOT SCALE DRAWING. ALL DIMENSIONS ARE IN MILLIMETERS.



1031 Goodworth Drive, Apex, NC 27539, USA
 Tel: +1.919.772.0115 Email: info@ati-ia.com
 Fax: +1.919.772.8259 www.ati-ia.com
 ISO 9001 Registered Company

PROPERTY OF ATI INDUSTRIAL AUTOMATION, INC. NOT TO BE REPRODUCED IN ANY MANNER EXCEPT ON ORDER OR WITH PRIOR WRITTEN AUTHORIZATION OF ATI.

DRAWN BY: J. Parker 1/10/07		TITLE	
CHECKED BY: P. Fusco 1/10/07		Mini45-E Transducer with Strain Relieved Cable	
PROJECT #	SHEET 1 OF 1	SCALE	REVISION
		2:1	05
		SIZE	
		B	
		DRAWING NUMBER	
		9230-05-1315	