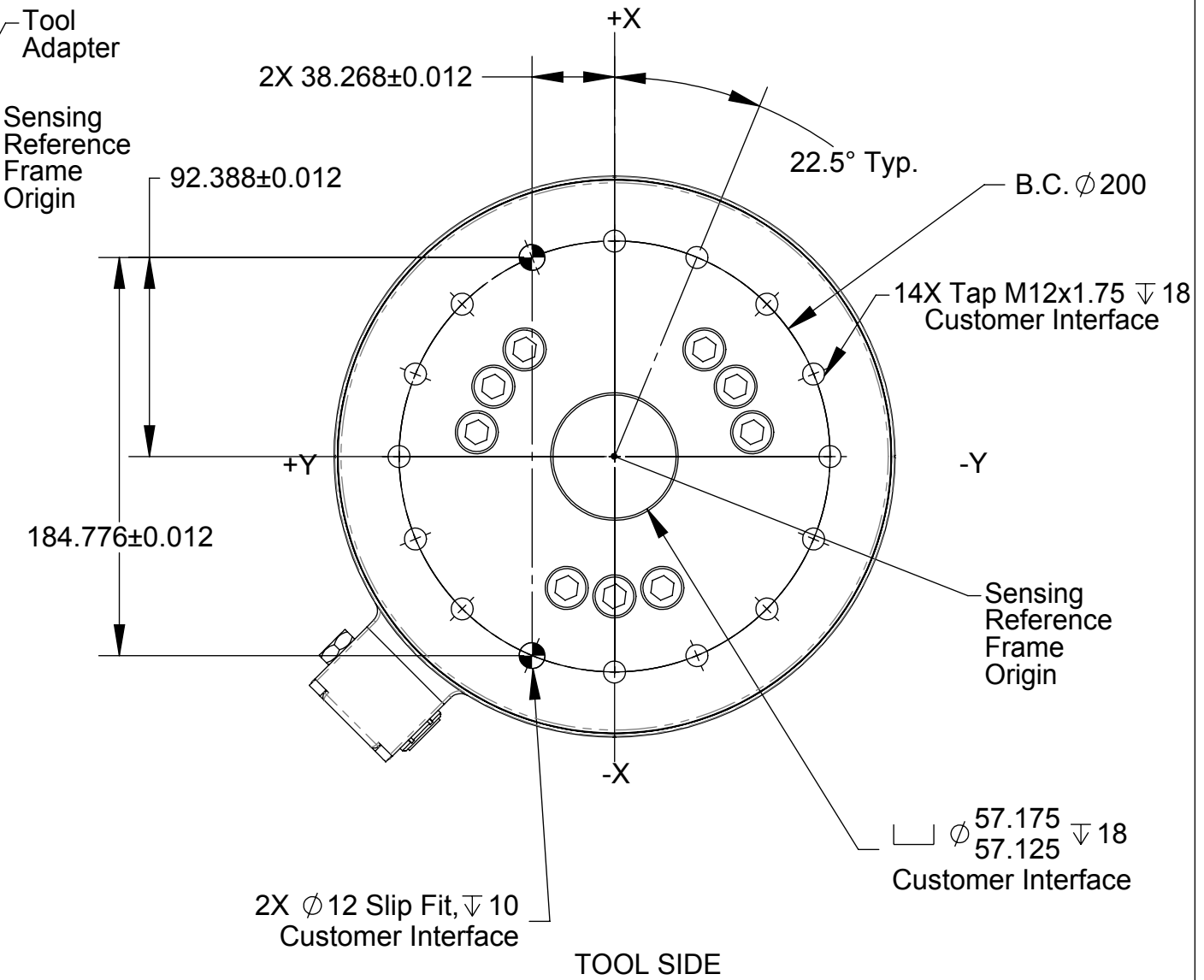
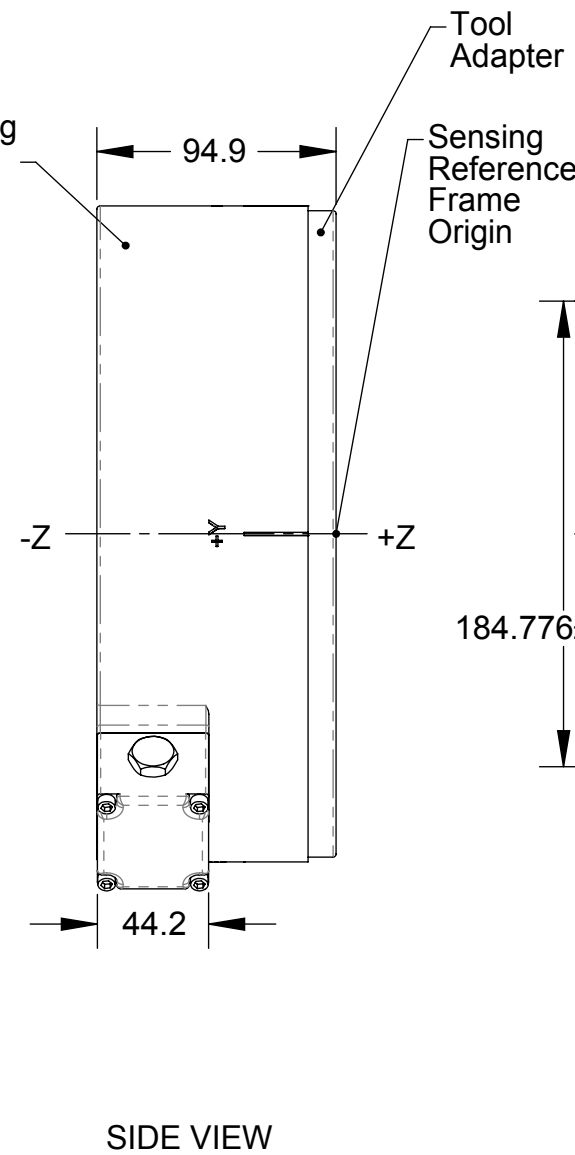
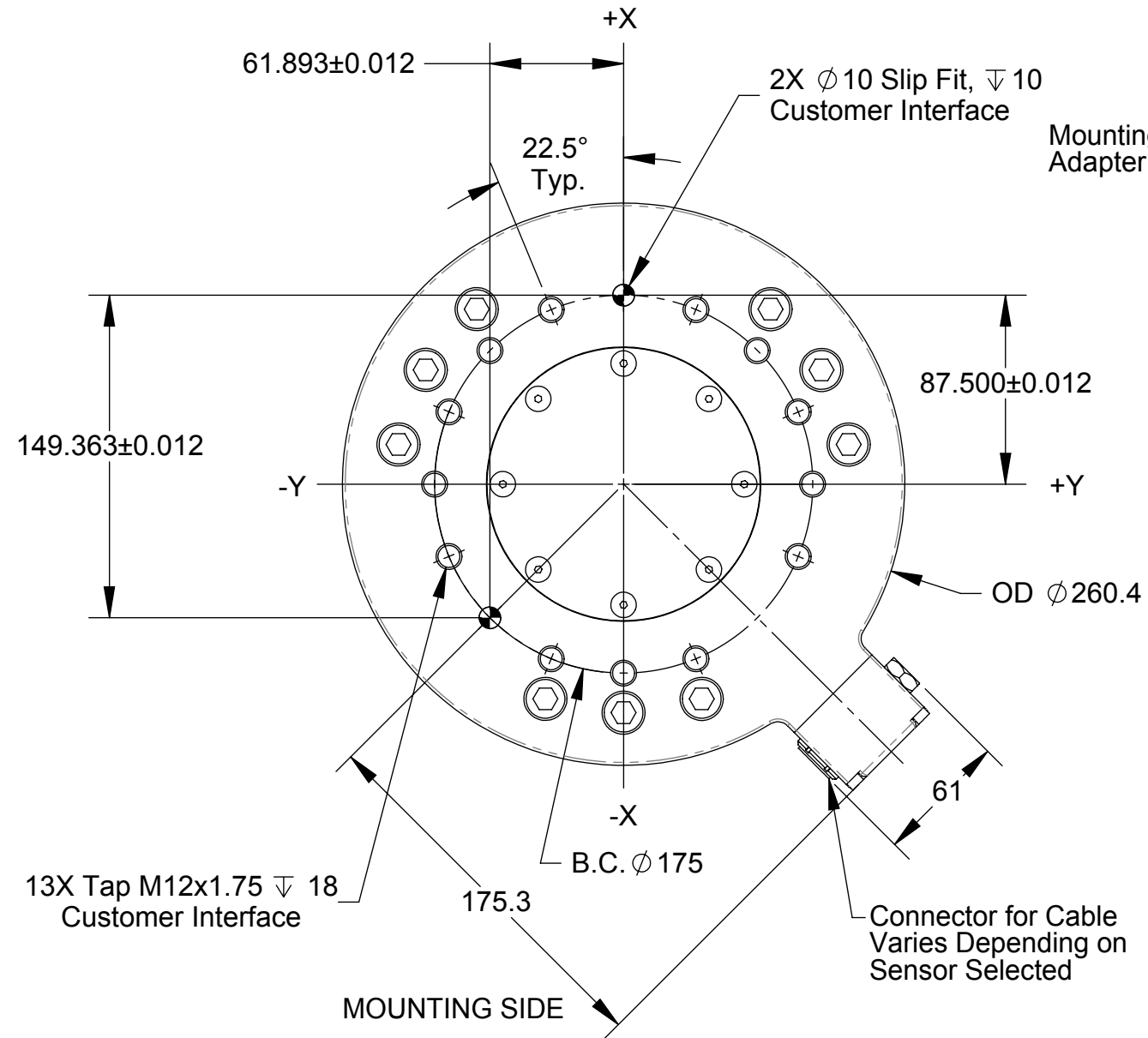
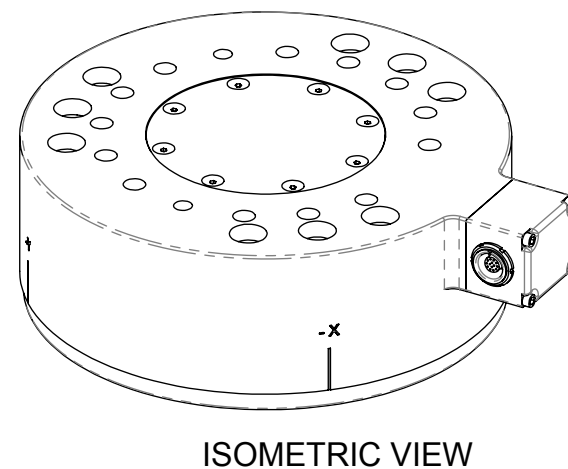


Rev.	Description	Initiator	Date
03	Eco 11989; Changed H7 to Slip Fit, change hole instances from 8 to 14	LJH	6/5/2014



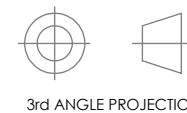
NOTES:

1. MATERIAL: Stainless Steel
2. Sensing Reference frame origin at surface center of tool adapter.
3. Do not disassemble transducer. Doing so could damage transducer and will void warranty.
4. For best accuracy, transducer must be mounted to a surface rigid enough to support loads without deflection.
5. Cable must be connected to transducer to maintain proper seal.
6. Cable is only IP68 rated at Transducer End. Transducer is IP68 rated in freshwater environment at a depth of up to 10 meters.



NOTES: UNLESS OTHERWISE SPECIFIED.

DO NOT SCALE DRAWING. ALL DIMENSIONS ARE IN MILLIMETERS.



1031 Goodworth Drive, Apex, NC 27539, USA
 Tel: +1.919.772.0115 Email: info@ati-ia.com
 Fax: +1.919.772.8259 www.ati-ia.com
 ISO 9001 Registered Company

PROPERTY OF ATI INDUSTRIAL AUTOMATION, INC. NOT TO BE REPRODUCED IN ANY MANNER EXCEPT ON ORDER OR WITH PRIOR WRITTEN AUTHORIZATION OF ATI.

DRAWN BY: P.Sparrow, 2/16/06		TITLE	
CHECKED BY: D.Norton 2/17/06		IP68-10m OMEGA250 Transducer	
PROJECT # -	SHEET 1 OF 1	SCALE	REVISION
		1:3	03
		SIZE	DRAWING NUMBER
		B	9230-05-1276