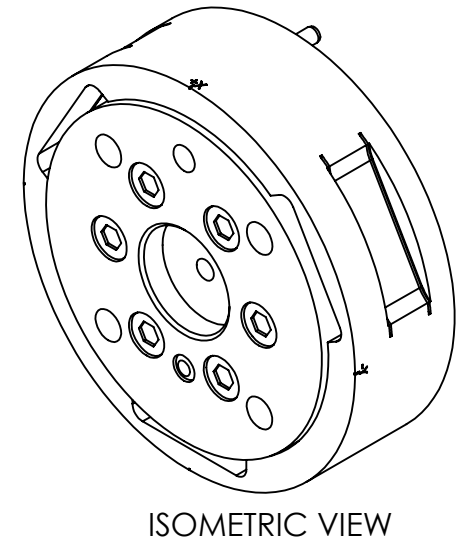
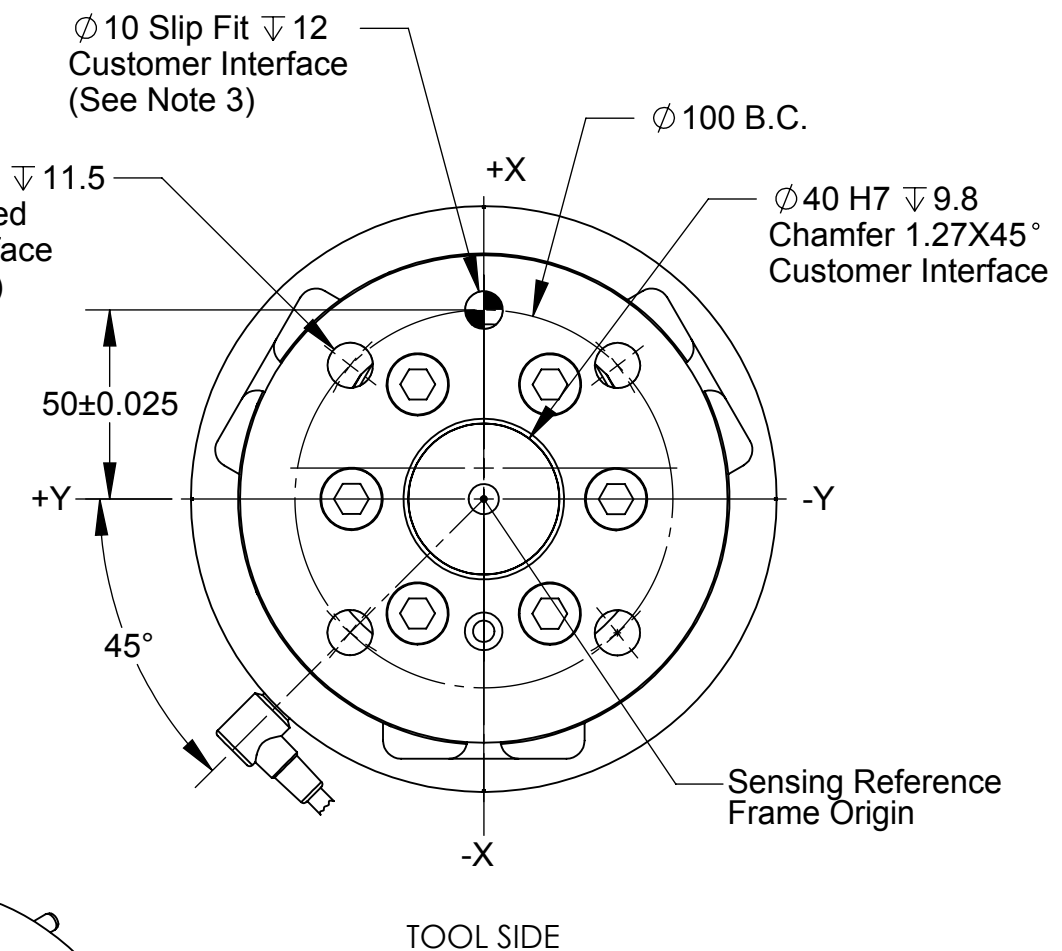
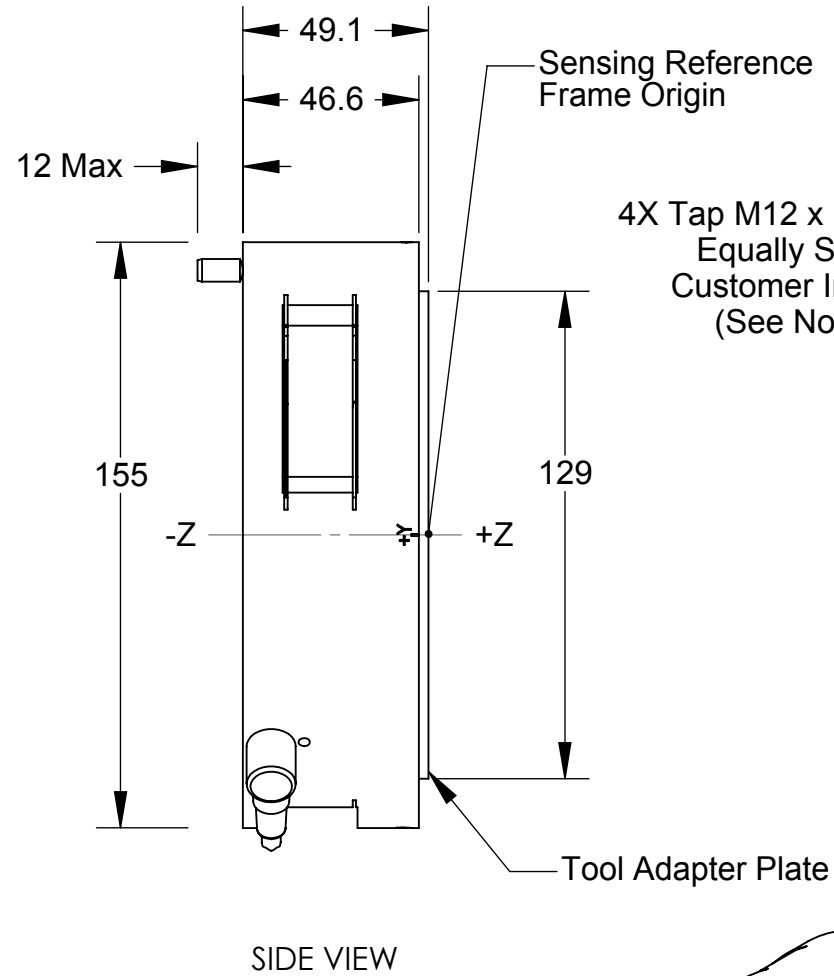
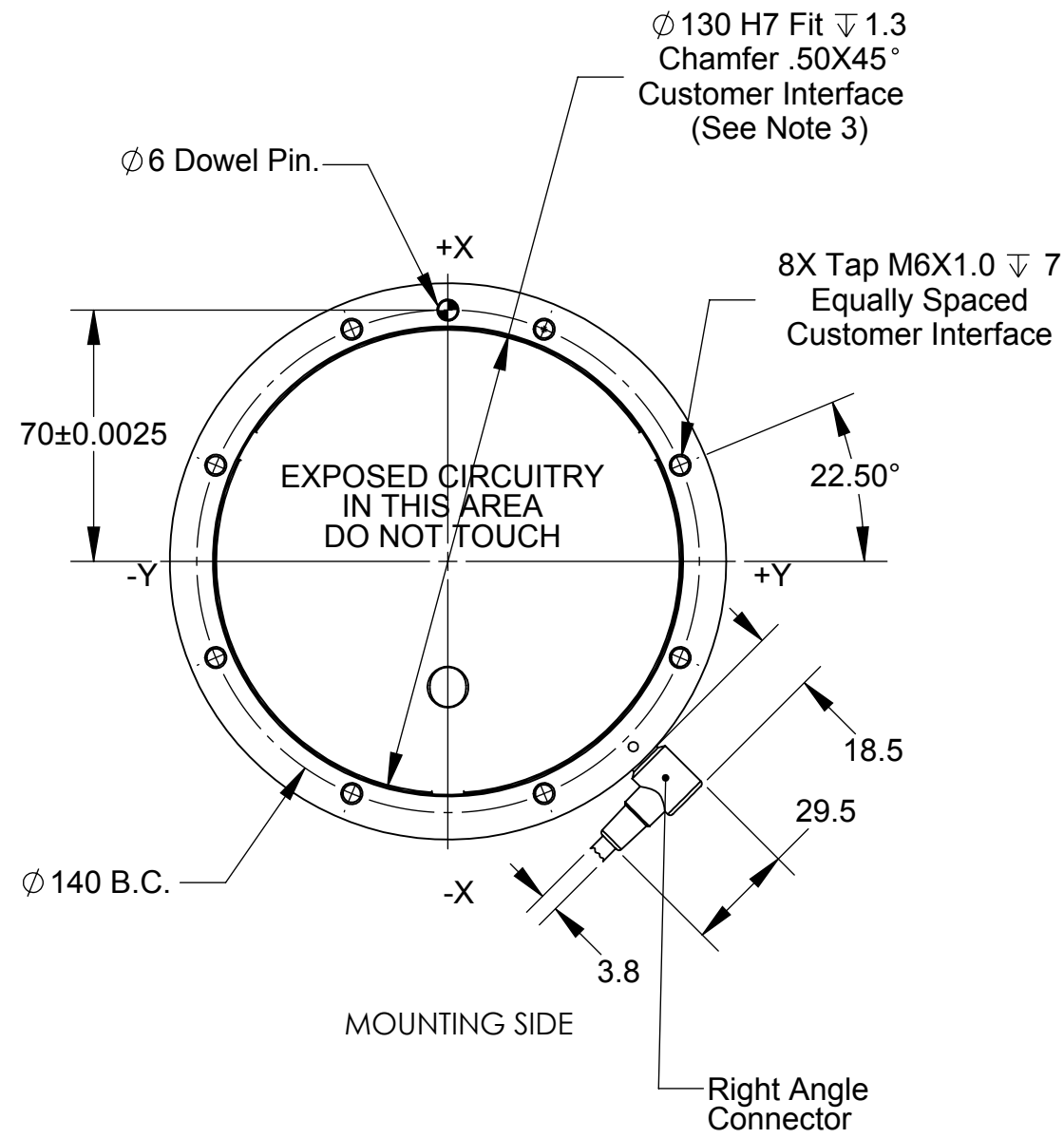


Rev.	Description	Initiator	Date
07	Eco 9037: Delete overload pins	JW	10/11/2011



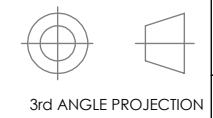
- Notes:
1. Material: Hardened Stainless Steel.
  2. Do not touch internal electronics or instrumentation. This could damage the transducer and will void the warranty.
  3. **DO NOT EXCEED INTERFACE DEPTH, MAY CAUSE DAMAGE.**
  4. For best accuracy, the transducer must be mounted to a surface rigid enough to support loads without deflection.

NOTES: UNLESS OTHERWISE SPECIFIED.  
DO NOT SCALE DRAWING. ALL DIMENSIONS ARE IN MILLIMETERS.



1031 Goodworth Drive, Apex, NC 27539, USA  
Tel: +1.919.772.0115 Email: info@ati-ia.com  
Fax: +1.919.772.8259 www.ati-ia.com  
ISO 9001 Registered Company

PROPERTY OF ATI INDUSTRIAL AUTOMATION, INC. NOT TO BE REPRODUCED IN ANY MANNER EXCEPT ON ORDER OR WITH PRIOR WRITTEN AUTHORIZATION OF ATI.



DRAWN BY: B. Digeso 3/3/00		TITLE	
CHECKED BY: D. Norton 7/15/05		Theta Transducer without Mounting Adapter Plate	
PROJECT # -	SHEET 1 OF 1	SCALE 1:2	REVISION 07
		SIZE B	DRAWING NUMBER 9230-05-1104