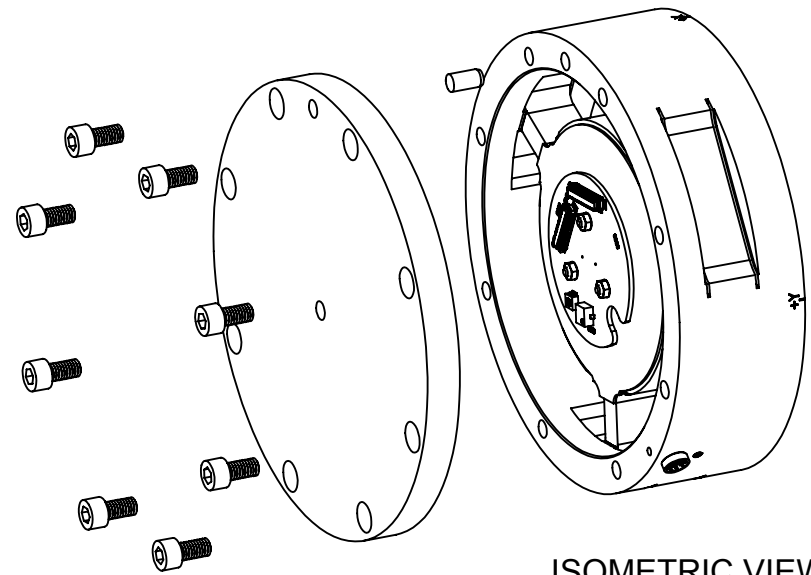
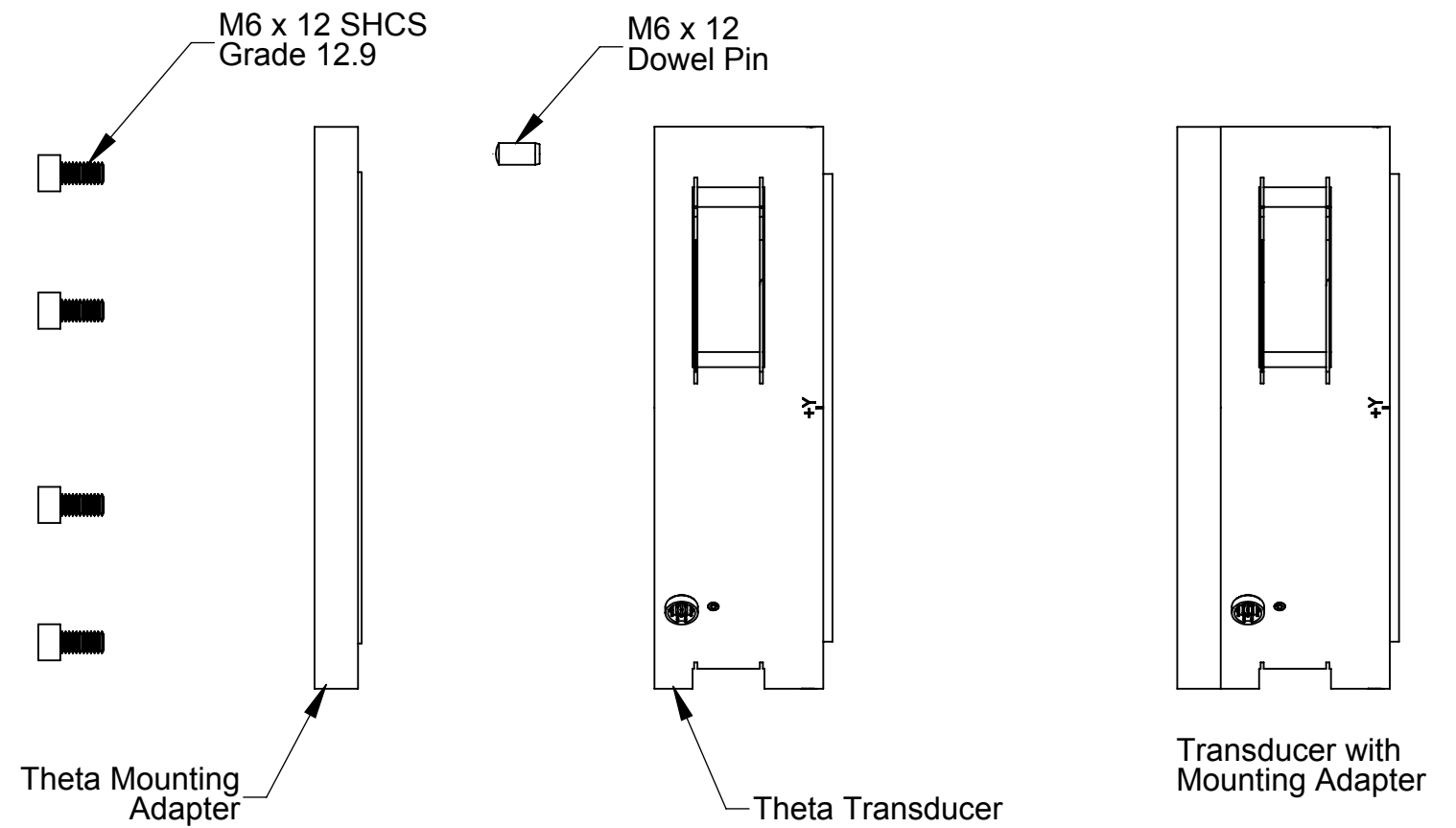
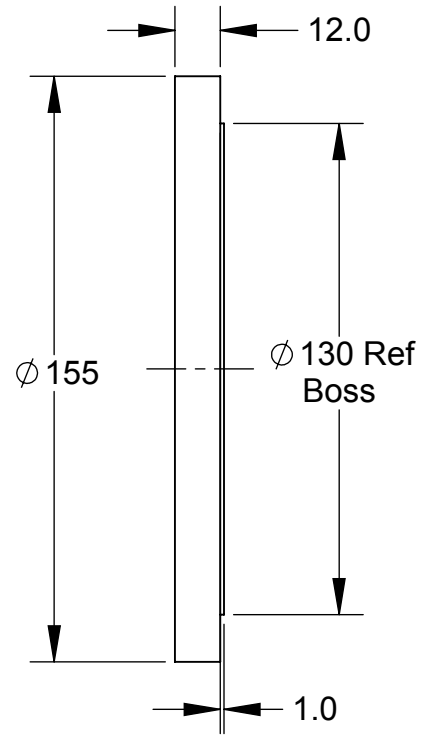
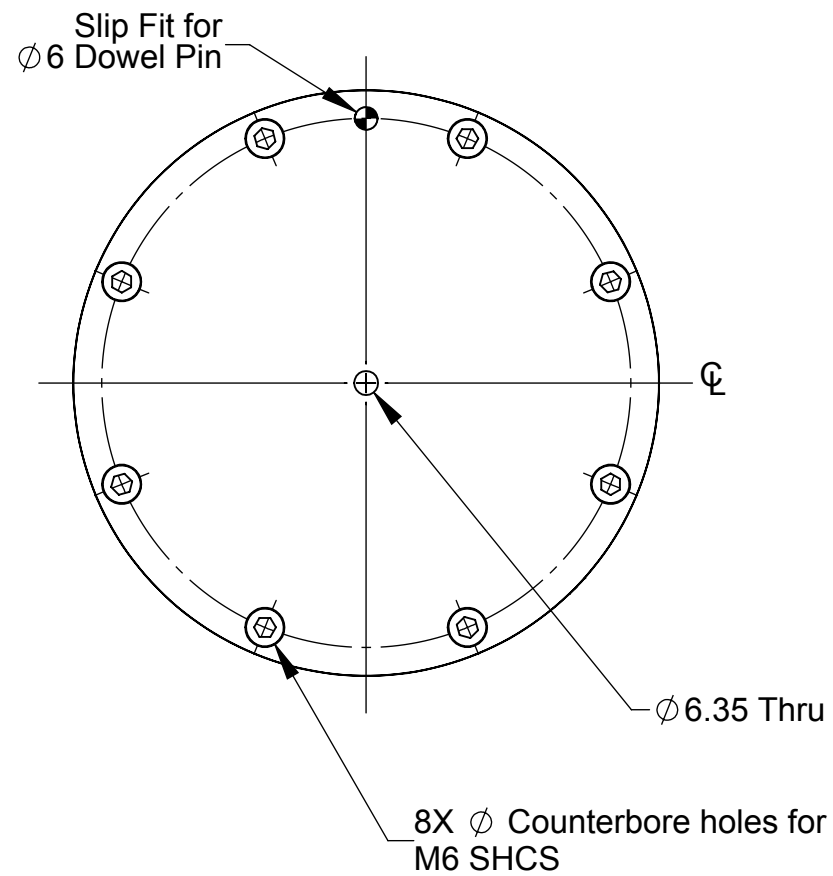


Rev.	Description	Initiator	Date
05	Eco 10296; Changed Grade of M6 x 12 SHCS from 10.9 to 12.9; Updated Transducer Body without overload pins.	CF	10/25/2012



ISOMETRIC VIEW
SCALE 1:2.5

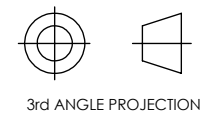


Notes:

1. Material: 303 Stainless Steel
2. Mounting Adapter: Customer to machine plate as required for mounting. Supplied with (8) M6 x 12 SHCS, Grade 12.9 and (1) M6 x 12 Dowel Pin, DIN 6325. $\varnothing 130$ Boss and $\varnothing 6$ Dowel Pin used for locating to Theta Transducer.

NOTES: UNLESS OTHERWISE SPECIFIED.

DO NOT SCALE DRAWING. ALL DIMENSIONS ARE IN MILLIMETERS.



1031 Goodworth Drive, Apex, NC 27539, USA
Tel: +1.919.772.0115 Email: info@ati-ia.com
Fax: +1.919.772.8259 www.ati-ia.com
ISO 9001 Registered Company

PROPERTY OF ATI INDUSTRIAL AUTOMATION, INC. NOT TO BE REPRODUCED IN ANY MANNER EXCEPT ON ORDER OR WITH PRIOR WRITTEN AUTHORIZATION OF ATI.

DRAWN BY: C. Flesock, 6/22/2009		TITLE	
CHECKED BY: P. Fusco, 6/22/2009		Theta Mounting Adapter	
PROJECT # -	SHEET 1 OF 1	SCALE	SIZE
		1:2	B
DRAWING NUMBER		REVISION	
9230-05-1076		05	