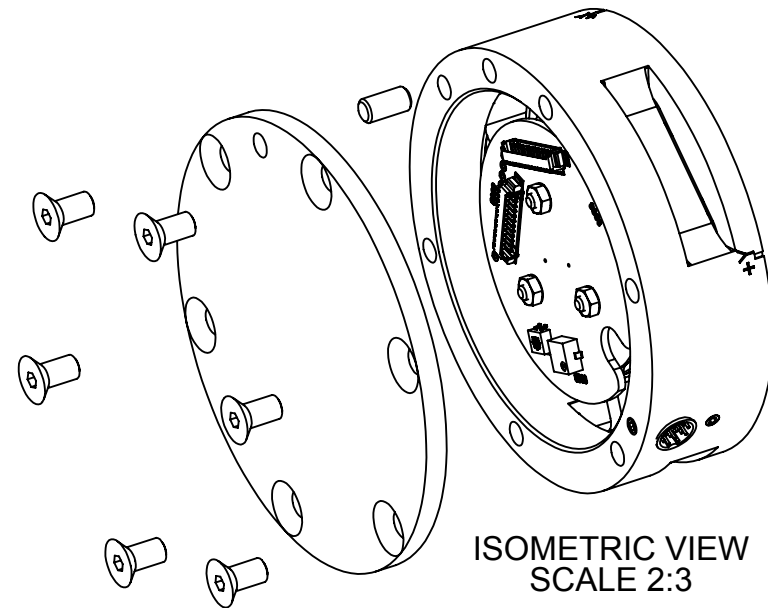
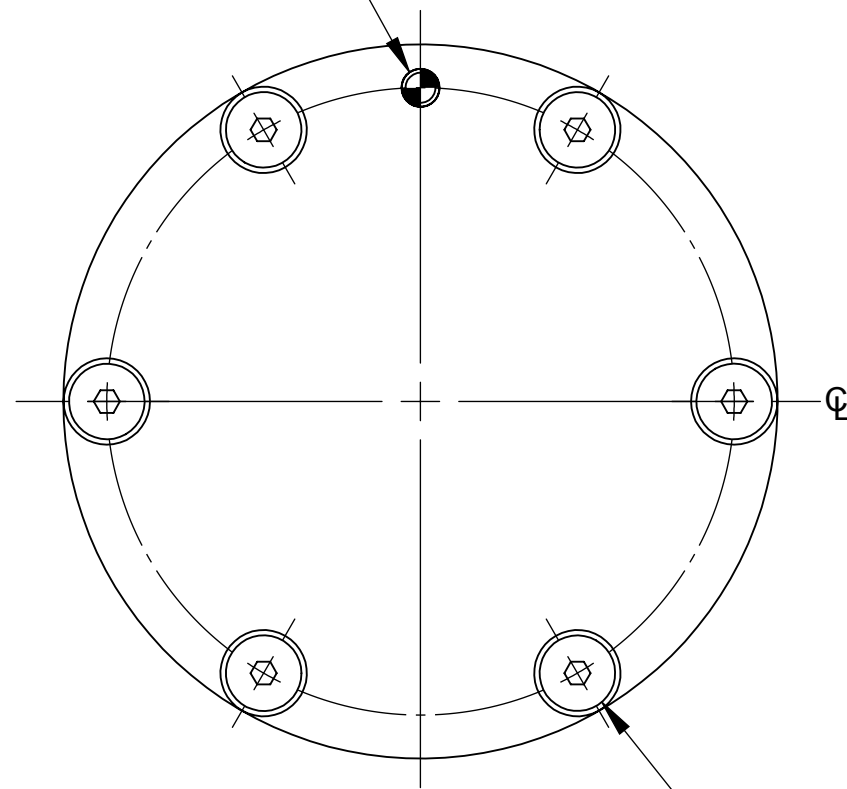


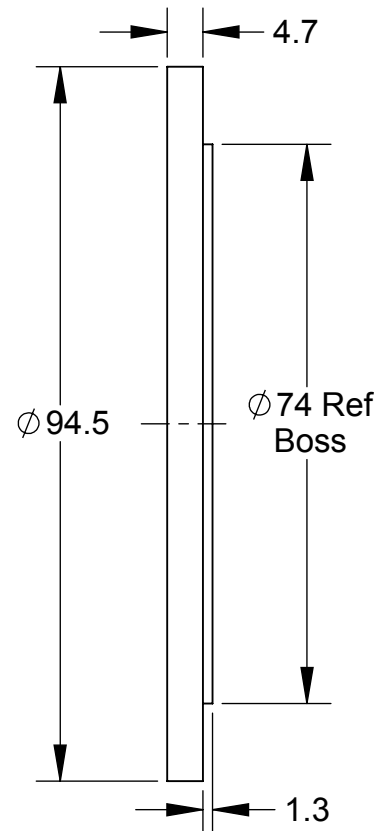
Rev.	Description	Initiator	Date
05	Eco 10296; Updated Transducer Body without overload pins.	CF	10/26/2012



Slip Fit for
Ø 5 Dowel Pin

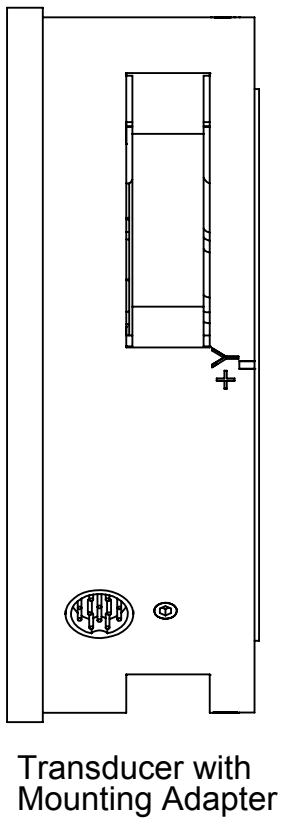
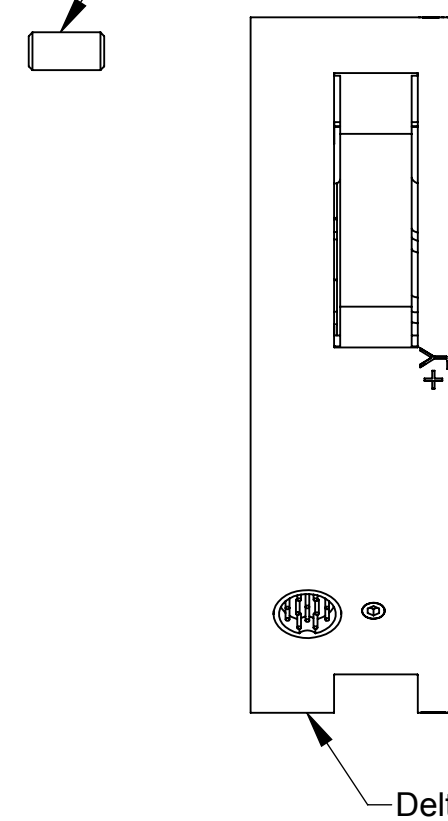
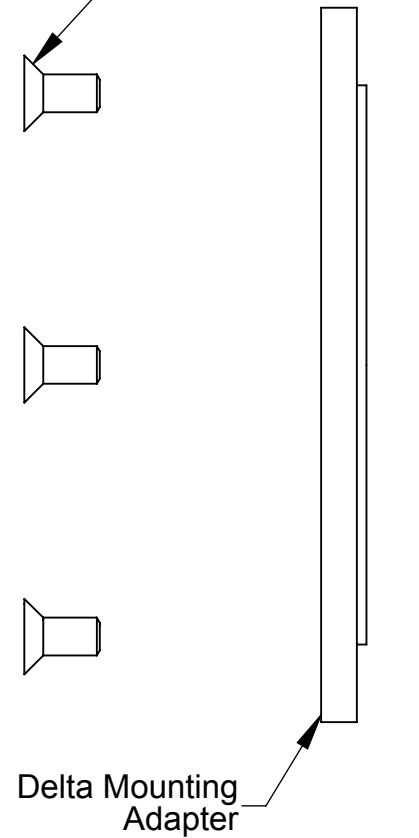


6X Countersink holes for
M5 SFHCS



M5 x 10 SFHCS,
Grade 10.9

M5 x 10,
Dowel Pin



Notes:

1. Material: High-Tensile Aluminum
2. Finish: Soft Black Anodize
3. Mounting Adapter: Customer to machine plate as required for mounting. Supplied with (6) M5 x 10 SFHCS, Grade 10.9 and (1) M5 x 10 Dowel Pin, DIN 6325. Ø 74 Boss and Ø 5 Dowel Pin used for locating to Delta Transducer.

NOTES: UNLESS OTHERWISE SPECIFIED.

DO NOT SCALE DRAWING. ALL DIMENSIONS ARE IN MILLIMETERS.



3rd ANGLE PROJECTION



1031 Goodworth Drive, Apex, NC 27539, USA
Tel: +1.919.772.0115 Email: info@ati-ia.com
Fax: +1.919.772.8259 www.ati-ia.com
ISO 9001 Registered Company

PROPERTY OF ATI INDUSTRIAL AUTOMATION, INC. NOT TO BE REPRODUCED IN ANY MANNER EXCEPT ON ORDER OR WITH PRIOR WRITTEN AUTHORIZATION OF ATI.

DRAWN BY: C. Flesock, 6/19/2009		TITLE	
CHECKED BY: P. Fusco, 6/22/2009		Delta Mounting Adapter	
PROJECT #	SHEET 1 OF 1	SCALE	SIZE
		1:1	B
DRAWING NUMBER		REVISION	
9230-05-1063		05	