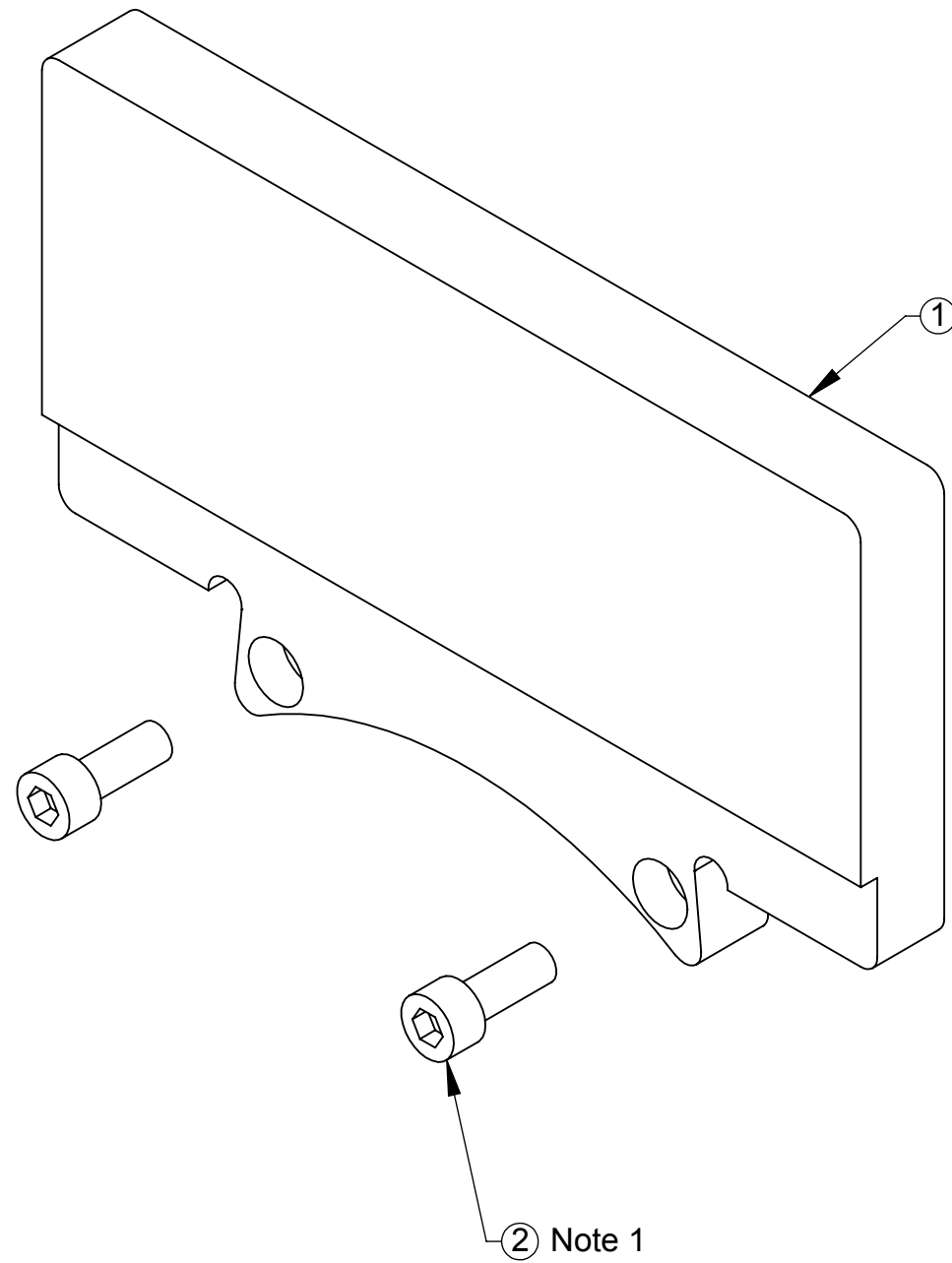


Rev.	Description	Initiator	Date
01P	Initial Design	BKD	6/28/2005
02	Released	BKD	9/6/2005
03	ECO: 5039 Added Assembly Notes	JEW	12/20/06
04	Eco 8539; Replace 3500-1066016-15 with 3500-1066016-15A, Add reference to note 1.	LJH	5/12/2011



Notes:
1. If mounting to QC, refer to work instruction. If not mounting to QC, then bag dry loose fasteners.

ITEM NO.	QTY.	PART NUMBER	DESCRIPTION
1	1	3700-20-4159	PA Safety Cover Plate
2	2	3500-1066016-15A	M6 x 16mm SHCS Blue Dyed Magni ND Microspheres

NOTES: UNLESS OTHERWISE SPECIFIED.

DO NOT SCALE DRAWING. ALL DIMENSIONS ARE IN MILLIMETERS.



3rd ANGLE PROJECTION



1031 Goodworth Drive, Apex, NC 27539, USA
Tel: +1.919.772.0115 Email: info@ati-ia.com
Fax: +1.919.772.8259 www.ati-ia.com
ISO 9001 Registered Company

PROPERTY OF ATI INDUSTRIAL AUTOMATION, INC. NOT TO BE REPRODUCED IN ANY MANNER EXCEPT ON ORDER OR WITH PRIOR WRITTEN AUTHORIZATION OF ATI.

DRAWN BY: B. Digeso, 6/28/05		TITLE	
CHECKED BY: R.Heavner 6/28/05		PA Module Safety Assembly	
PROJECT #	050620-1	SHEET	1 OF 1
SCALE	1:1	SIZE	B
DRAWING NUMBER	9121-PAA-T		REVISION
			04