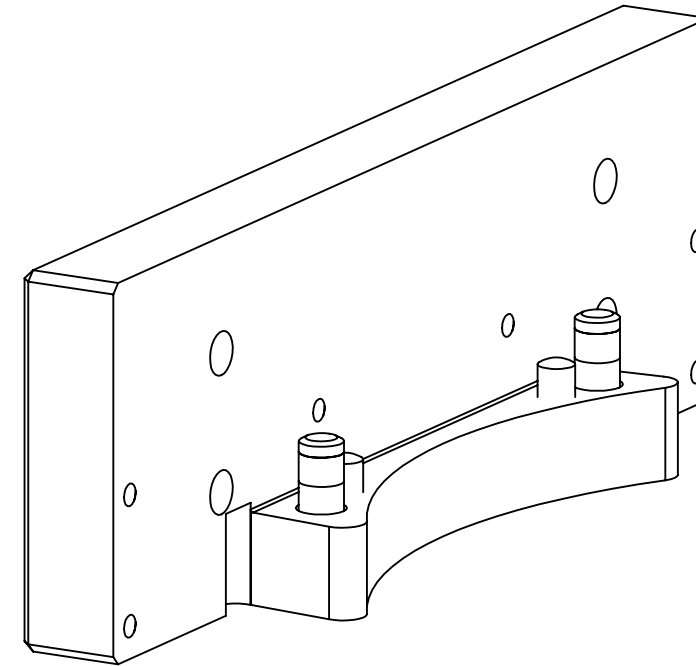
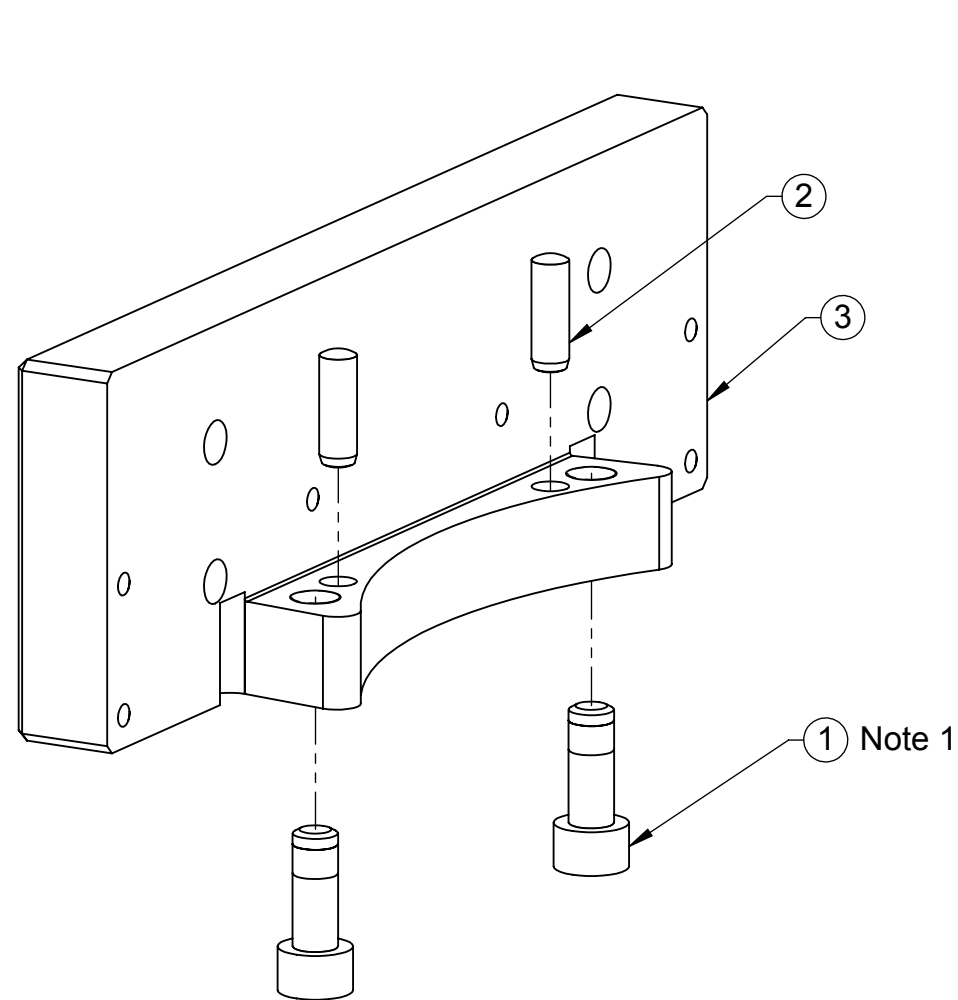


Rev.	Description	Initiator	Date
03	Release - No changes	DSS	3/29/2011
04	ECO 15250; Replaced 3700-20-6598.SLDPRT with 3700-20-6598.SLDASM ("make from" format), removed two dowel tooling Notes, updated Note to standard, and updated Title Block.	SZJ	2/16/2017
05	Eco 17917; Removed Master Cleat Assembly 9005-20-1198 and Dowels 3540-0105010-11 (Qty.2). Updated Note 1 "Bag Fastener Note". Removed tools 3810-20-1124 and 3810-20-1125 from drawing. Updated Title Block.	CF	5/30/2019



ITEM NO.	QTY	PART NUMBER	DESCRIPTION
1	2	3500-1066016-15A	M6-1 x 16mm SHCS, Blue, Pre-Applied
2	2	3540-0105016-11	5mm x 16mm Dowel Alloy Steel
3	1	3700-20-6598	Master Adapter Plate Common Ledge Mtg to V300

NOTES: UNLESS OTHERWISE SPECIFIED.

DO NOT SCALE DRAWING. ALL DIMENSIONS ARE IN INCHES.



3rd ANGLE PROJECTION



1031 Goodworth Drive, Apex, NC 27539, USA  
 Tel: +1.919.772.0115 www.ati-ia.com  
 Fax: +1.919.772.8259 ISO 9001 Registered Company

PROPERTY OF ATI INDUSTRIAL AUTOMATION, INC. NOT TO BE REPRODUCED IN ANY MANNER EXCEPT ON ORDER OR WITH PRIOR WRITTEN AUTHORIZATION OF ATI.

DRAWN BY: D. Swanson, 10/21/10		TITLE	
CHECKED BY: D. Lawson, 10/22/10		JM4 Master Adapter Assembly for V300	
PROJECT #	101012-1	SHEET	1 OF 1
SCALE	1:1	SIZE	B
DRAWING NUMBER	9121-JM4-M	REVISION	05

Notes:

1. If installing on QC, refer to work instructions. If placing into inventory, bag dry loose fasteners.