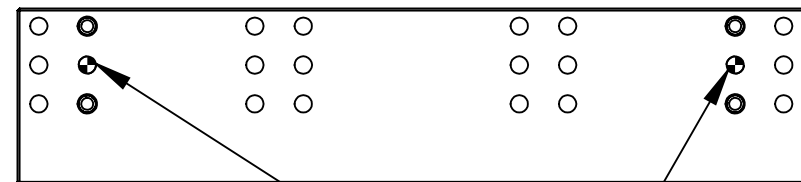
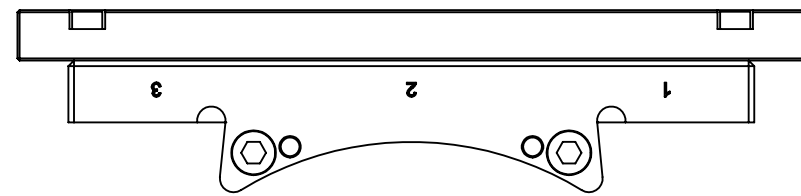
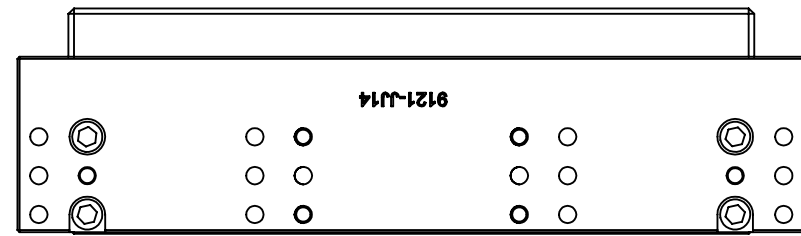
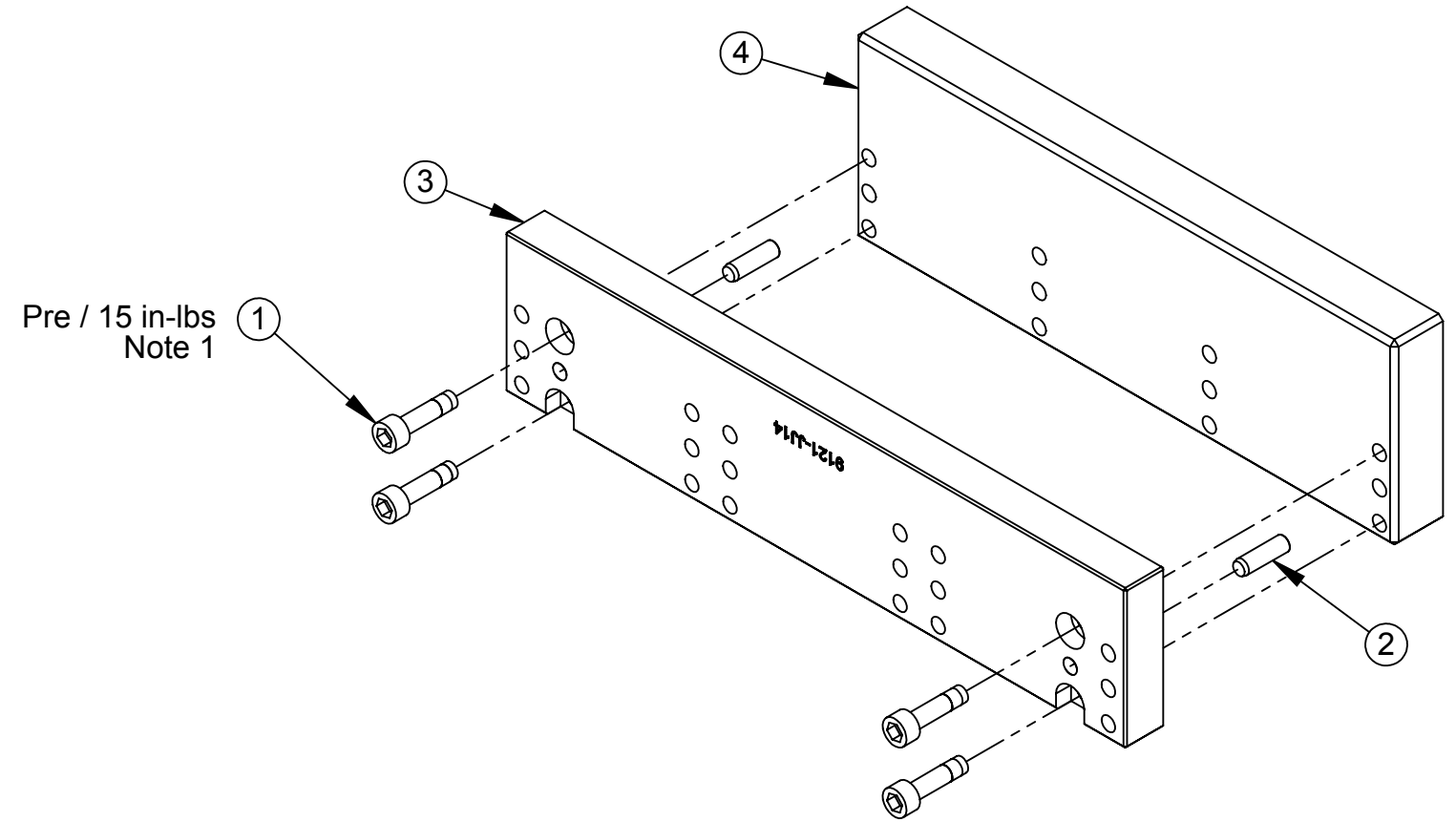


Rev.	Description	Initiator	Date
02	Release - no changes	DSS	9/1/2011
03	Eco 17917; Removed Master Cleat Assembly 9005-20-1198 and Dowels 3540-0105010-11 (Qty,2) on 9121-JJ2-M. Removed tool from 3810-20-1168 from drawing. Updated Note 1 "Bag Fastener Note".	CF	5/24/2019
04	Eco 18377; Added Torque and Loctite callout to Item 1.	LJH	10/21/2019



Press Dowels in Here

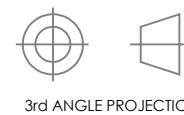


Pre / 15 in-lbs
Note 1

ITEM NO.	QTY	PART NUMBER	DESCRIPTION
1	4	3500-1062016-15A	M4-0.7 x 16mm SHCS, Blue, Pre-Applied
2	2	3540-0104014-11	4mm x 14mm Dowel Alloy Steel
3	1	3700-20-7025	Adapter Plate (3)J16 Patterns to JJ2
4	1	9121-JJ2-M	JJ2 Master Adapter Assembly

NOTES: UNLESS OTHERWISE SPECIFIED.

DO NOT SCALE DRAWING. ALL DIMENSIONS ARE IN INCHES.



3rd ANGLE PROJECTION



1031 Goodworth Drive, Apex, NC 27539, USA
Tel: +1.919.772.0115 www.ati-ia.com
Fax: +1.919.772.8259 ISO 9001 Registered Company

PROPERTY OF ATI INDUSTRIAL AUTOMATION, INC. NOT TO BE REPRODUCED IN ANY MANNER EXCEPT ON ORDER OR WITH PRIOR WRITTEN AUTHORIZATION OF ATI.

DRAWN BY: D. Swanson 6/23/11		TITLE		
CHECKED BY: D. Lawson, 6/24/11		JJ14 Master Adapter Assembly (3)J16 Patterns		
PROJECT #	110623-1	SHEET	1	OF 1
SCALE	2:3	SIZE	B	DRAWING NUMBER
				9121-JJ14-M
				REVISION
				04

Note:
1. If installing on QC, refer to work instructions. If placing into inventory, bag dry loose fasteners.