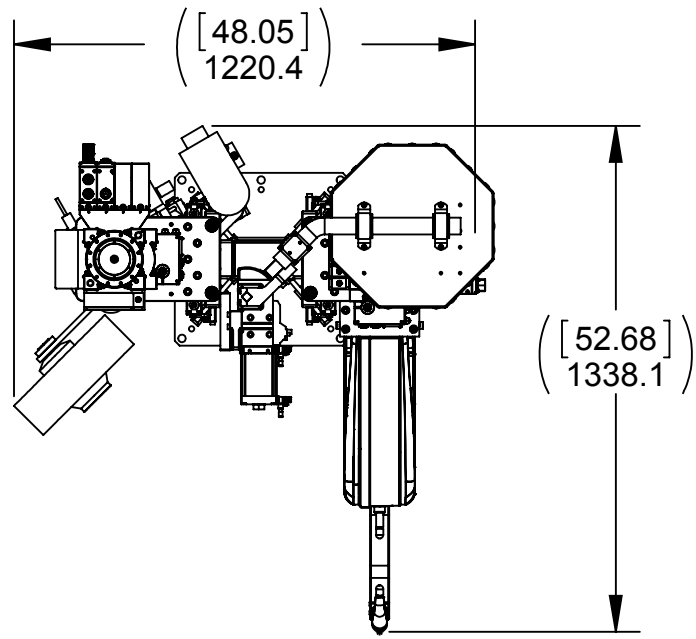
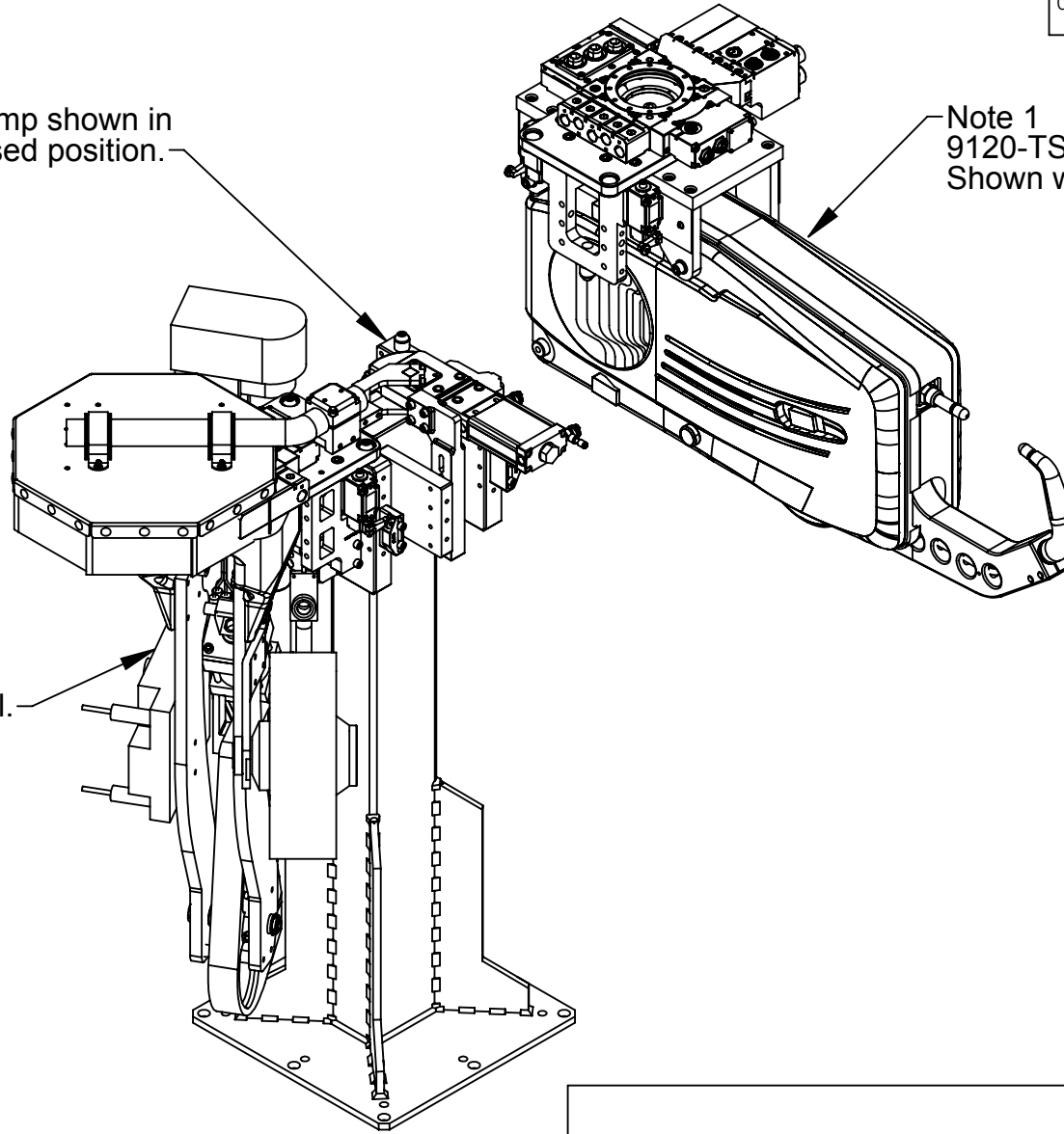


Rev.	Description	Initiator	Date
01	Initial Drawing	JMW	12/31/2012
02	ECO 13945: 9120-TSL-ASY-7571 was updated, this drawing needed to be updated accordingly.	DJB	11/4/2015

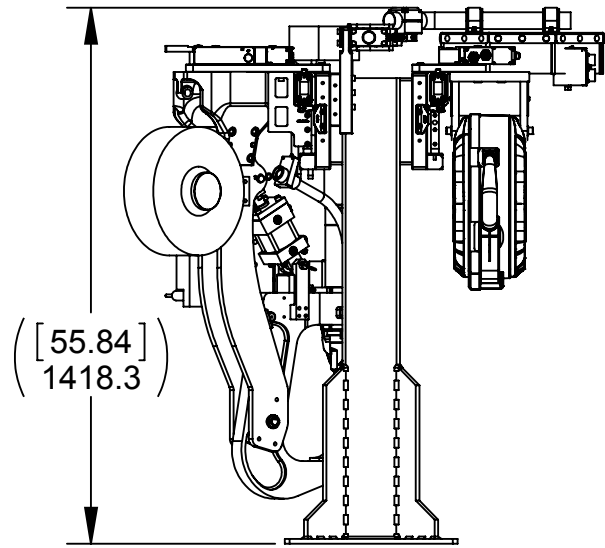


Clamp shown in closed position.

Note 1
9120-TSL-TP-7572
Shown with customer tool.



Note 1
9120-TSL-TP-7571
Shown with customer tool.



Sheet	Description
1	General View of Tool Stand
2	Final Assembly and Dimensional Detail
3	9120-TSL-TP-7571 & Mounting Detail
4	9120-TSL-TP-7572 & Mounting Detail

9120-TSL-ASY-7571

ITEM NO.	QTY.	PART NUMBER	DESCRIPTION
1	1	9120-TSL-PM-248B-R000	TSL Post Module, (2) Rigid Pin & Bushing Modules, 48" Tall
2	2	9120-TSL-SS-7511	TSL Tool Stand Interlock Trip Dog Assembly
3	1	9120-TSL-DSA-135-7475	TSL Debris Shield Actuator - Dual Post - Horizontal - 135°
4	1	9120-TSL-DS-17-W3528	TSL Debris Shield, 17" Wide, Weld Curtain
5	2	9120-TSL-SS-7511	TSL Tool Stand Interlock Trip Dog Assembly

NOTES: UNLESS OTHERWISE SPECIFIED.

DO NOT SCALE DRAWING. ALL DIMENSIONS ARE IN MILLIMETERS.



1031 Goodworth Drive, Apex, NC 27539, USA
Tel: +1.919.772.0115 Email: info@ati-ia.com
Fax: +1.919.772.8259 www.ati-ia.com
ISO 9001 Registered Company

PROPERTY OF ATI INDUSTRIAL AUTOMATION, INC. NOT TO BE REPRODUCED IN ANY MANNER EXCEPT ON ORDER OR WITH PRIOR WRITTEN AUTHORIZATION OF ATI.

Notes:

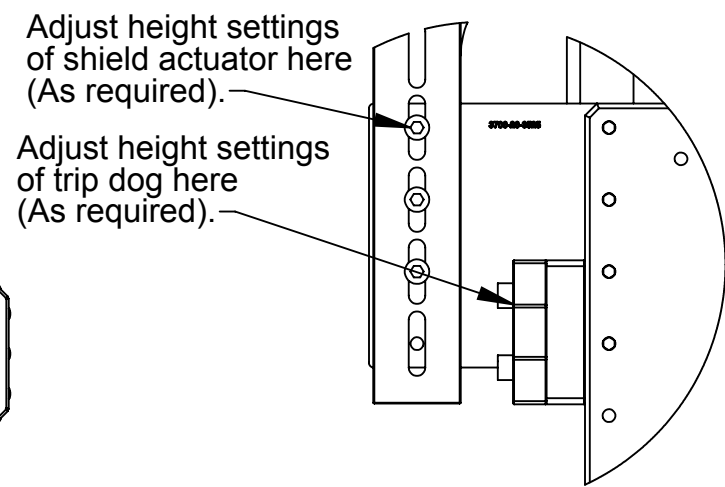
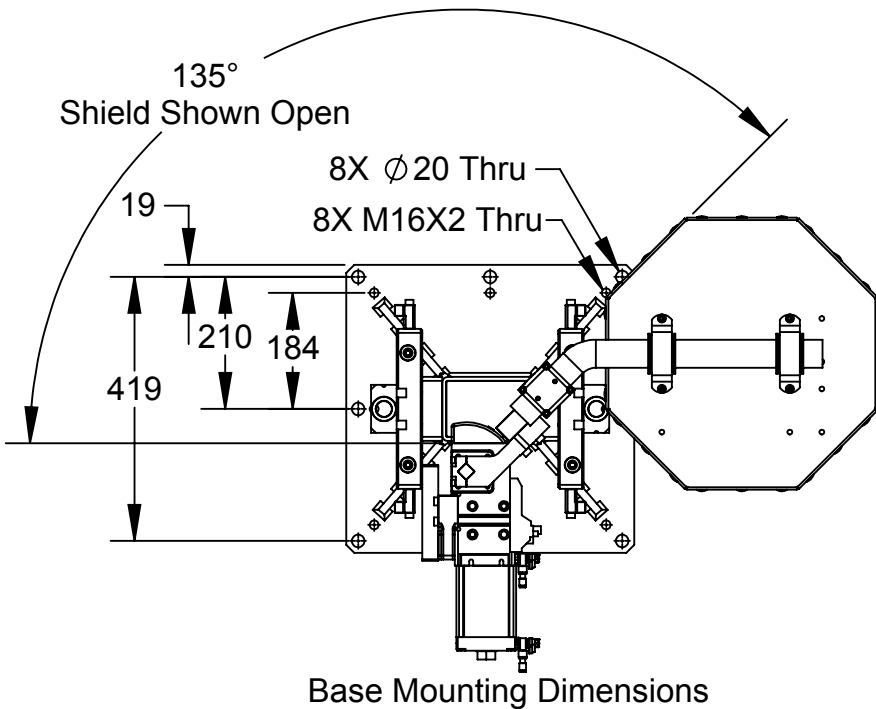
1. TSL Tooling Interface Bracket and TSL Interlock Switch shown for illustration purposes only.
2. Customer to supply one independent valve per tool stand for actuator control.
3. Customer to supply interbus I/O module for actuators, sensors & valve control.



3rd ANGLE PROJECTION

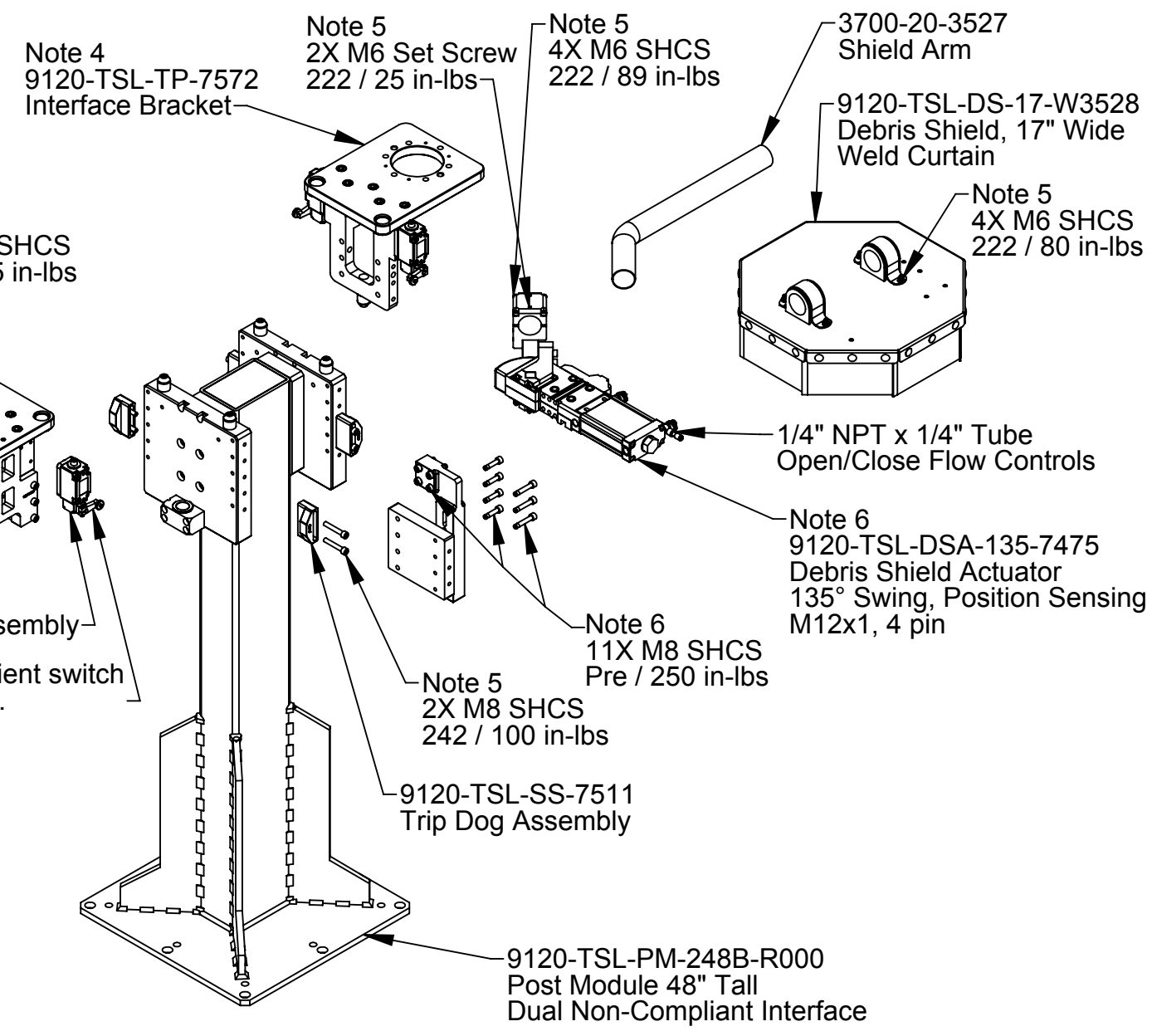
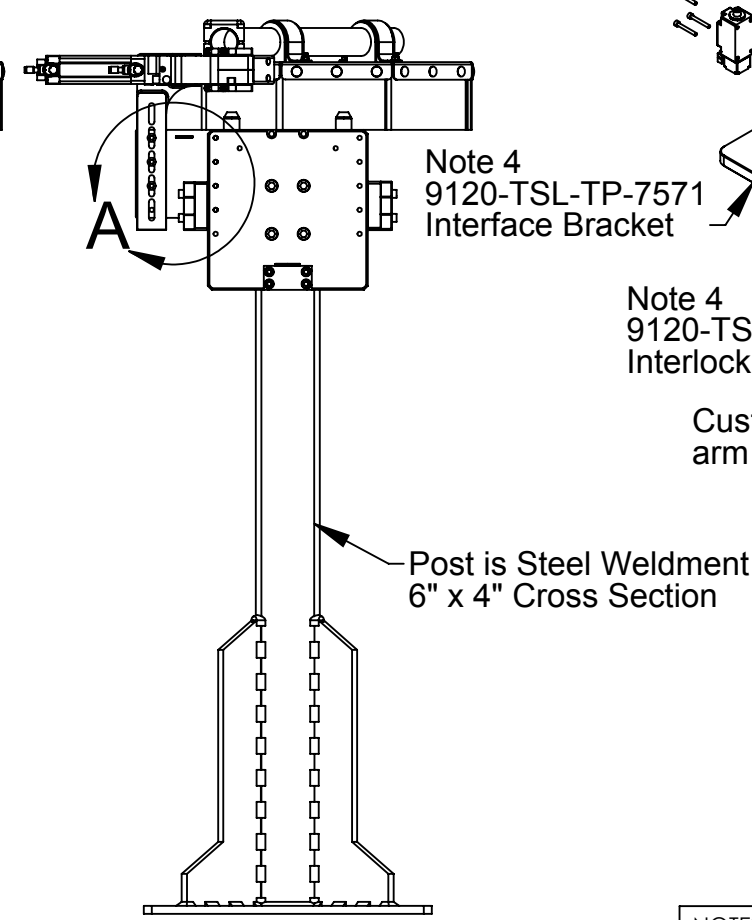
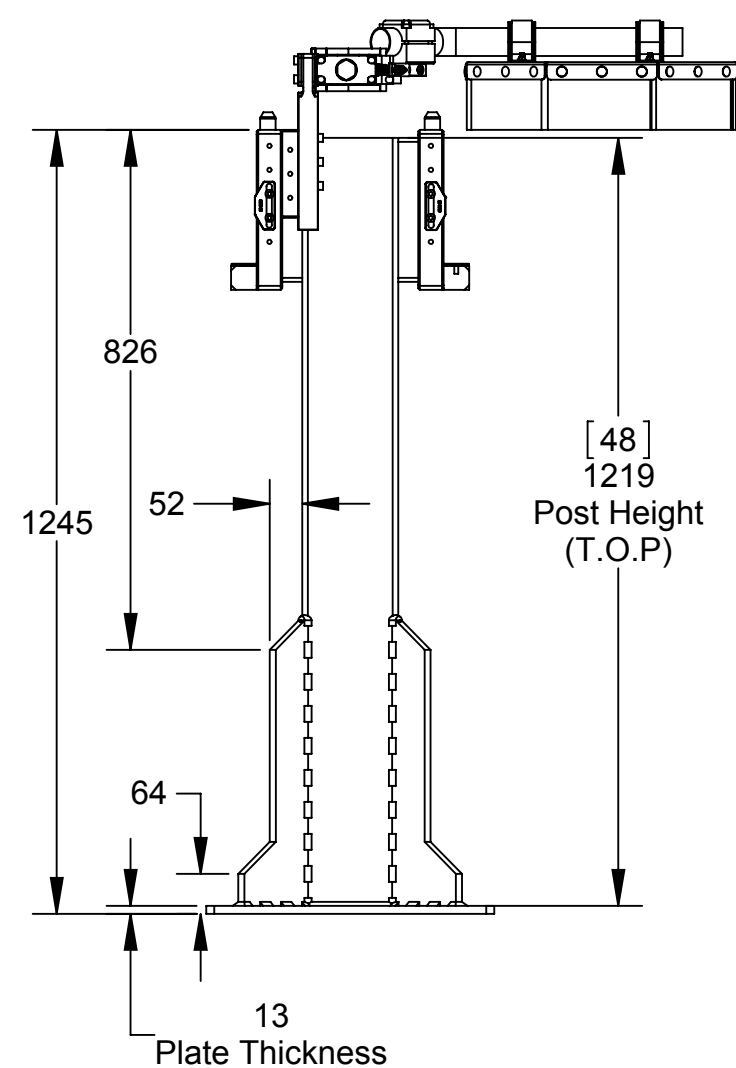
DRAWN BY: J. Winterroth, 12/17/12		TITLE	
CHECKED BY: D. Swanson, 12/31/12		TSL Application Drawing for 9120-TSL-ASY-7571	
PROJECT # 121210-1	SHEET 1 OF 4	SCALE 1:20	SIZE B
DRAWING NUMBER 9230-20-7571		REVISION 02	

Rev.	Description	Initiator	Date
-	See Sheet1	-	-



DETAIL A
SCALE 1 : 4

Base Mounting Dimensions



- Notes:
4. TSL Tooling Interface Bracket and TSL Interlock Switch shown for illustration purposes only. Bracket and Switch are shipped loose, to be installed by customer.
 5. Dry fasteners installed hand tight on Tool Stand for shipment, customer to set final placement and loctite with suggested or similar threadlocker and torque to recommended torque value.
 6. Debris Shield Actuator shipped loose, to be installed by customer.

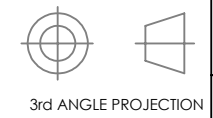
NOTES: UNLESS OTHERWISE SPECIFIED.
DO NOT SCALE DRAWING. ALL DIMENSIONS ARE IN MILLIMETERS.



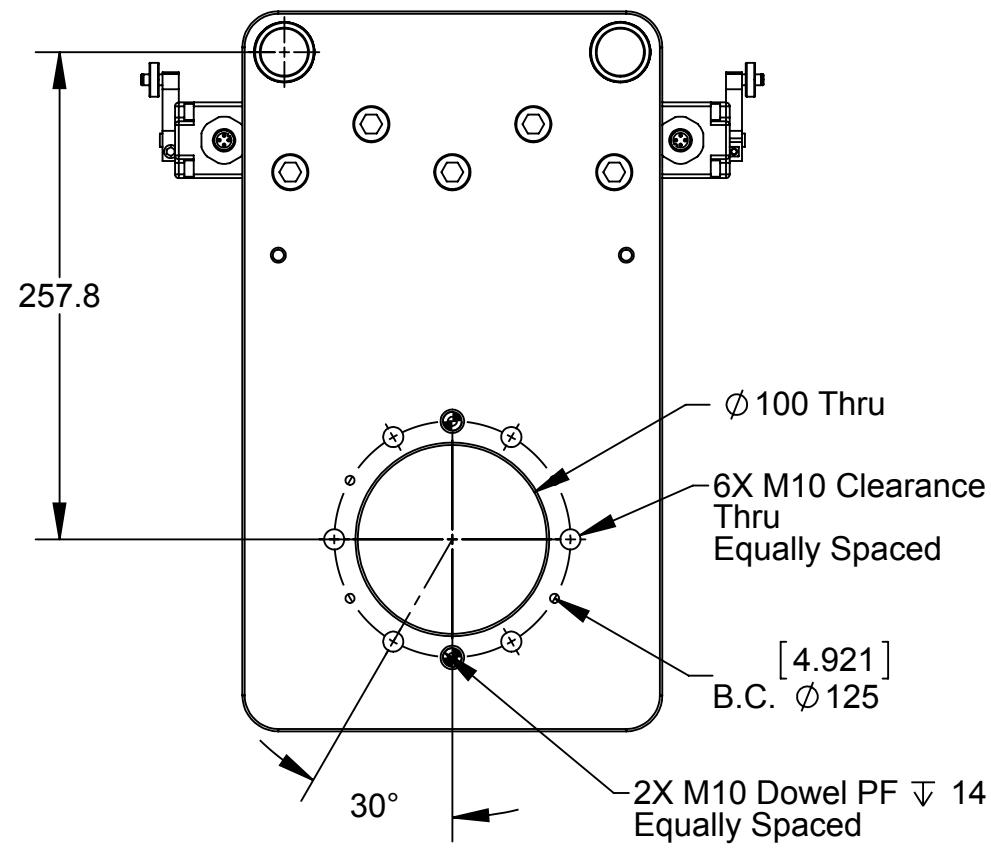
1031 Goodworth Drive, Apex, NC 27539, USA
Tel: +1.919.772.0115 Email: info@ati-ia.com
Fax: +1.919.772.8259 www.ati-ia.com
ISO 9001 Registered Company

PROPERTY OF ATI INDUSTRIAL AUTOMATION, INC. NOT TO BE REPRODUCED IN ANY MANNER EXCEPT ON ORDER OR WITH PRIOR WRITTEN AUTHORIZATION OF ATI.

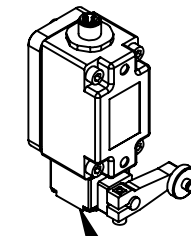
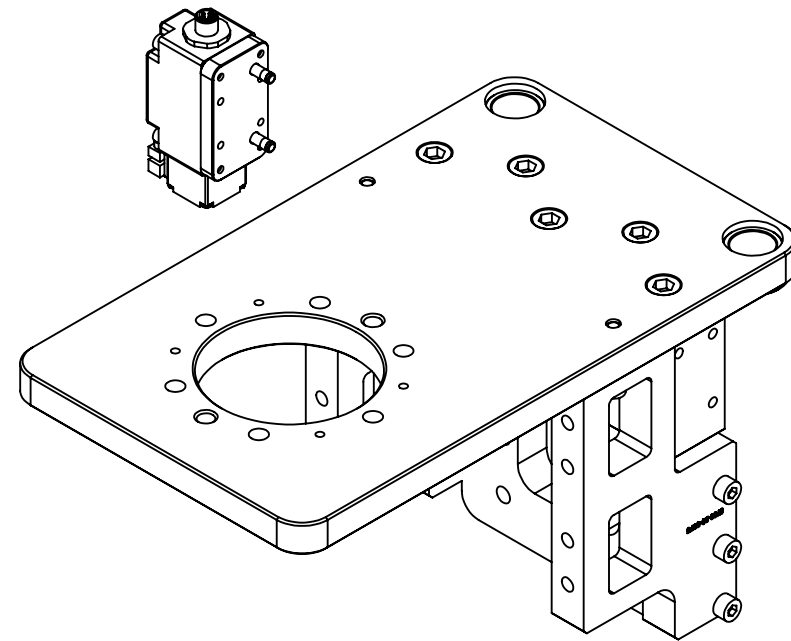
DRAWN BY: J. Winterroth, 12/17/12		TITLE	
CHECKED BY: D. Swanson, 12/31/12		TSL Application Drawing for 9120-TSL-ASY-7571	
PROJECT # 121210-1	SHEET 2 OF 4	SCALE 1:12	SIZE B
		DRAWING NUMBER 9230-20-7571	REVISION 02



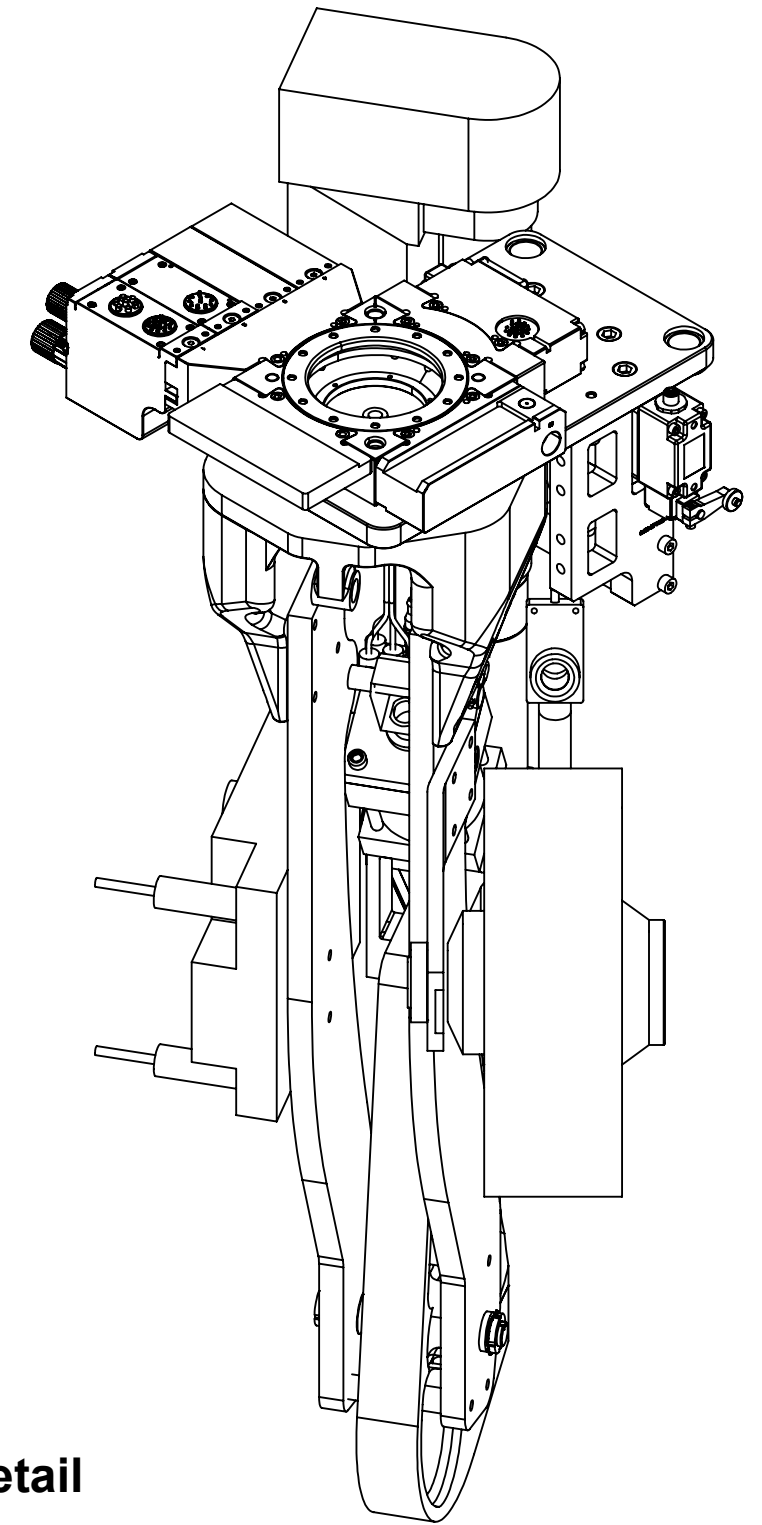
Rev.	Description	Initiator	Date
-	See Sheet1	-	-



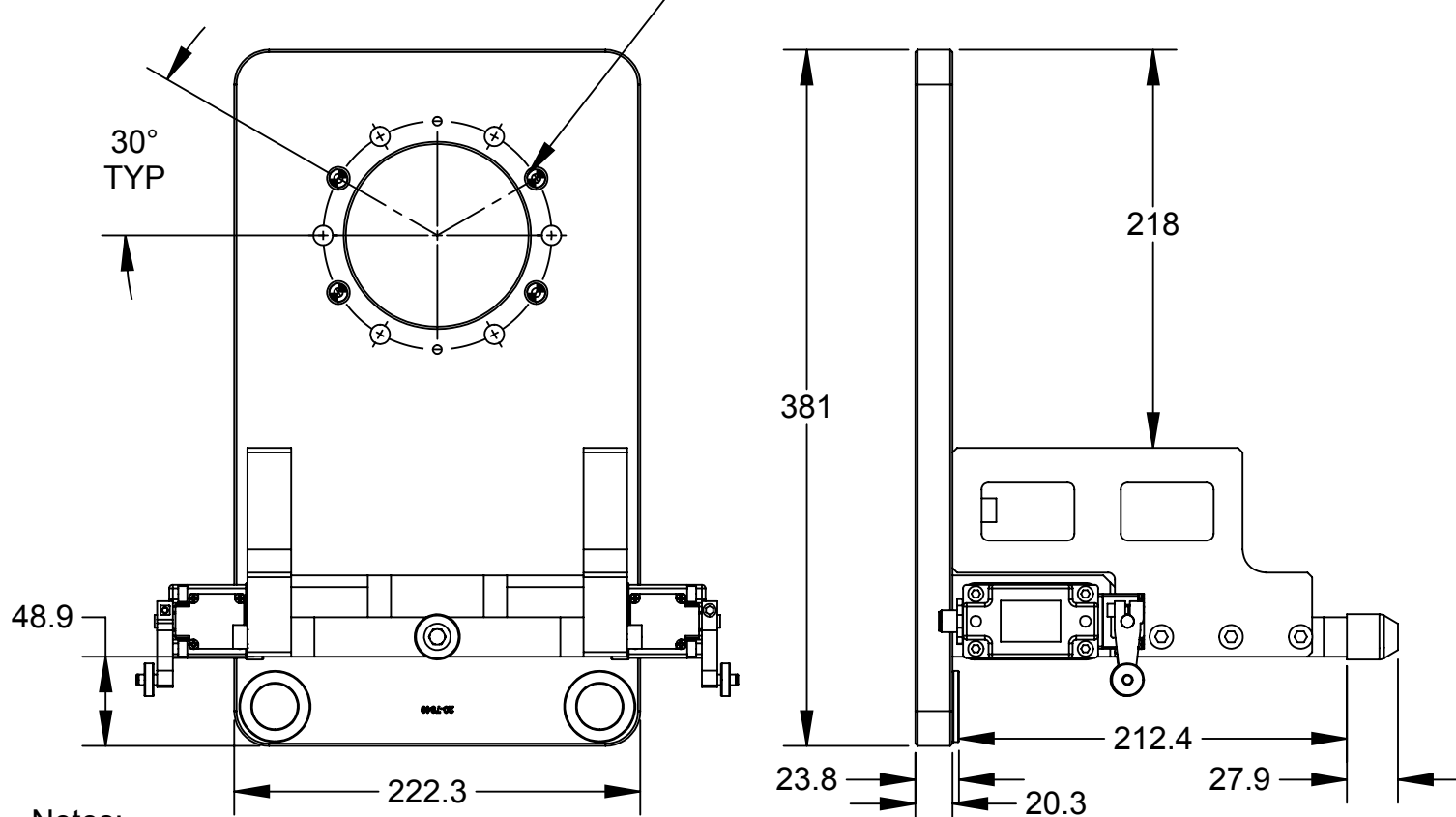
QC-210 Mounting Pattern



Note 7
9120-TSL-SS-7511



Customer Mounting Pattern



9120-TSL-TP-7571 & Mounting Detail

Notes:

- 7. TSL Tooling Interface Bracket and TSL Interlock Switch shown for illustration purposes only. Bracket and Switch are shipped loose, to be installed by customer.
- 8. Customer to supply mounting screws and dowels.

NOTES: UNLESS OTHERWISE SPECIFIED.

DO NOT SCALE DRAWING. ALL DIMENSIONS ARE IN MILLIMETERS.



3rd ANGLE PROJECTION

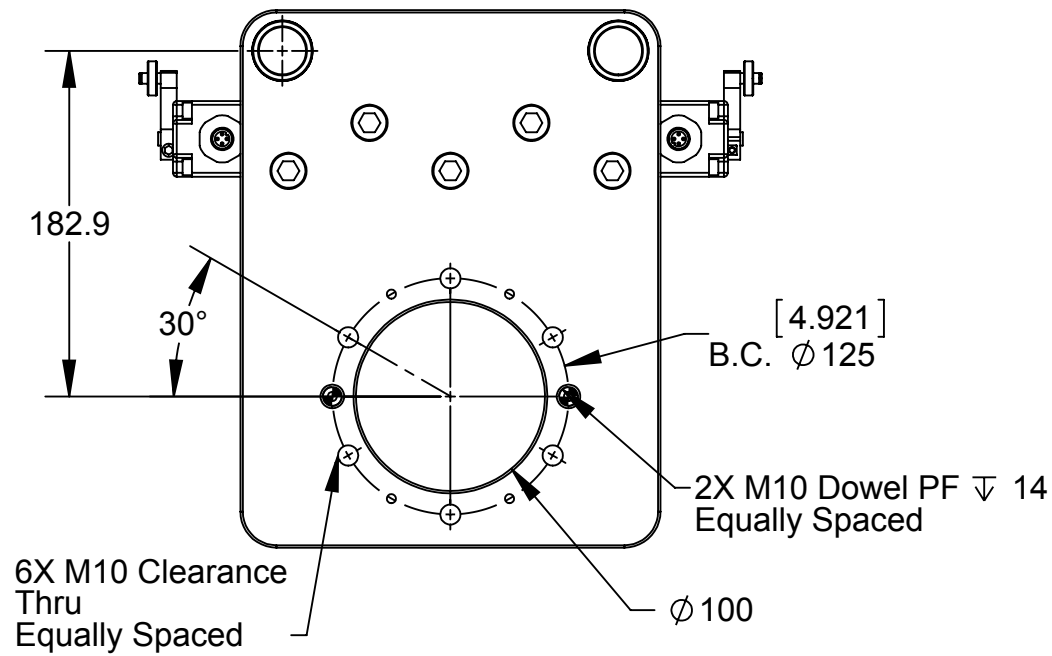


1031 Goodworth Drive, Apex, NC 27539, USA
 Tel: +1.919.772.0115 Email: info@ati-ia.com
 Fax: +1.919.772.8259 www.ati-ia.com
 ISO 9001 Registered Company

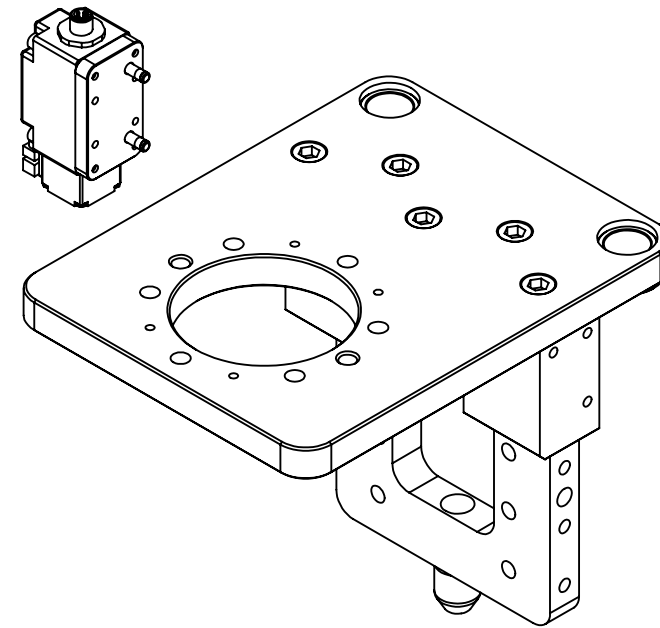
PROPERTY OF ATI INDUSTRIAL AUTOMATION, INC. NOT TO BE REPRODUCED IN ANY MANNER EXCEPT ON ORDER OR WITH PRIOR WRITTEN AUTHORIZATION OF ATI.

DRAWN BY: J. Winterroth, 12/17/12		TITLE	
CHECKED BY: D. Swanson, 12/31/12		TSL Application Drawing for 9120-TSL-ASY-7571	
PROJECT # 121210-1	SHEET 3 OF 4	SCALE 1:4	SIZE B
		DRAWING NUMBER 9230-20-7571	REVISION 02

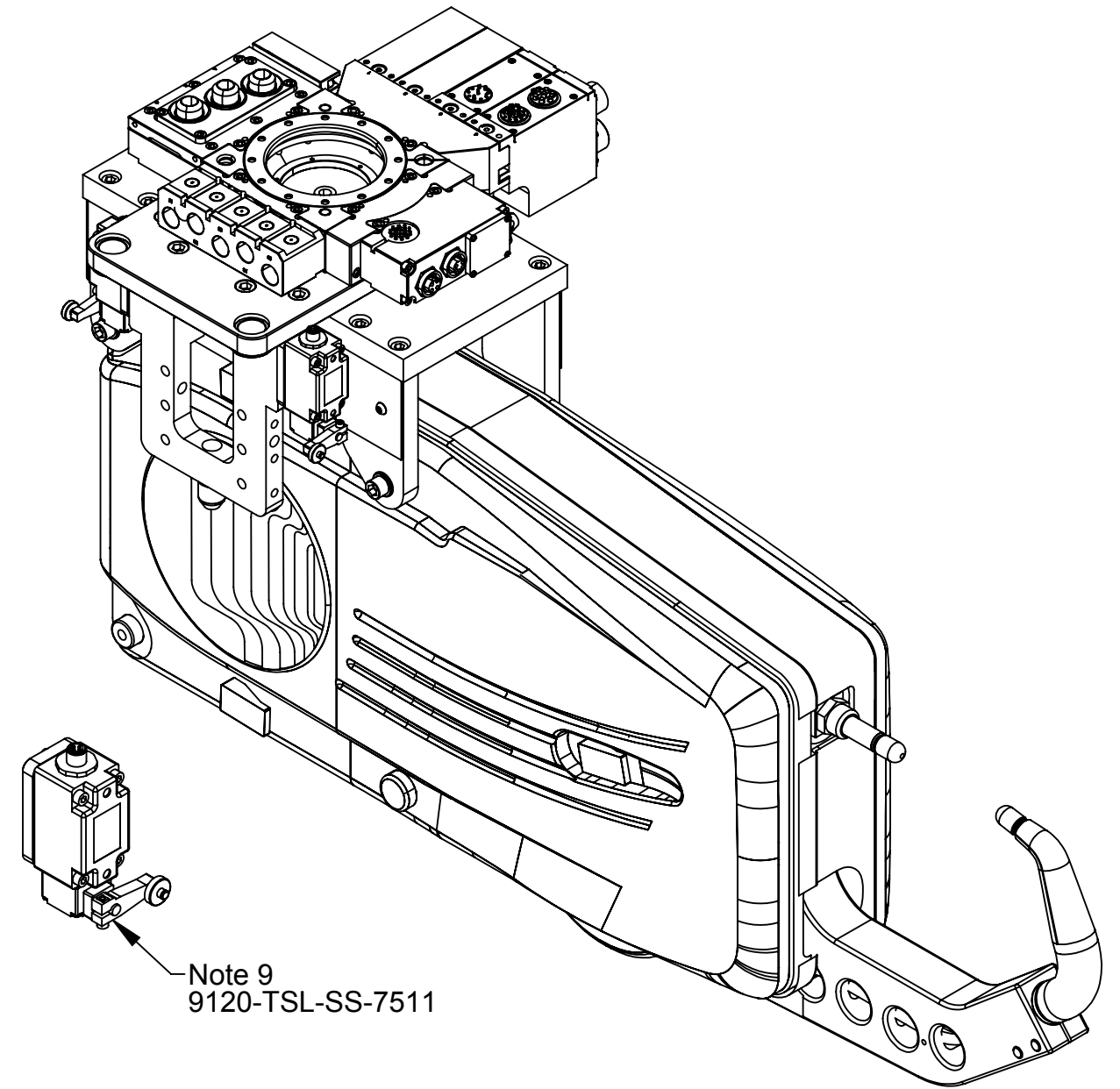
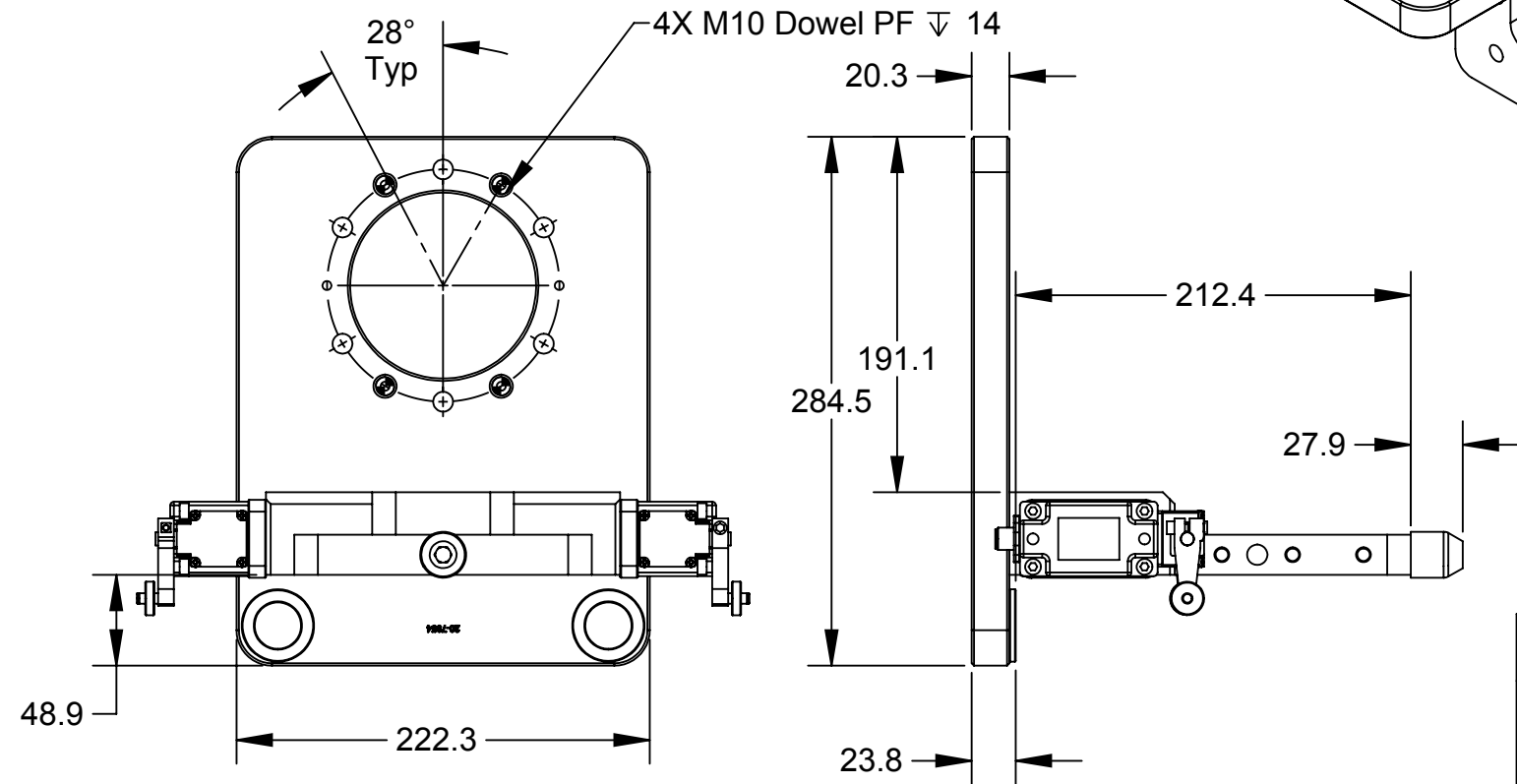
Rev.	Description	Initiator	Date
-	See Sheet1	-	-



QC-210 Mounting Pattern



Customer Mounting Pattern



9120-TSL-TP-7572 & Mounting Detail

NOTES: UNLESS OTHERWISE SPECIFIED.

DO NOT SCALE DRAWING. ALL DIMENSIONS ARE IN MILLIMETERS.



1031 Goodworth Drive, Apex, NC 27539, USA
 Tel: +1.919.772.0115 Email: info@ati-ia.com
 Fax: +1.919.772.8259 www.ati-ia.com
 ISO 9001 Registered Company

PROPERTY OF ATI INDUSTRIAL AUTOMATION, INC. NOT TO BE REPRODUCED IN ANY MANNER EXCEPT ON ORDER OR WITH PRIOR WRITTEN AUTHORIZATION OF ATI.

Notes:

- 9. TSL Tooling Interface Bracket and TSL Interlock Switch shown for illustration purposes only. Bracket and Switch are shipped loose, to be installed by customer.
- 10. Customer to supply mounting screws and dowels.



3rd ANGLE PROJECTION

DRAWN BY: J. Winterroth, 12/17/12		TITLE	
CHECKED BY: D. Swanson, 12/31/12		TSL Application Drawing for 9120-TSL-ASY-7571	
PROJECT # 121210-1	SHEET 4 OF 4	SCALE 1:4	SIZE B
DRAWING NUMBER 9230-20-7571		REVISION 02	