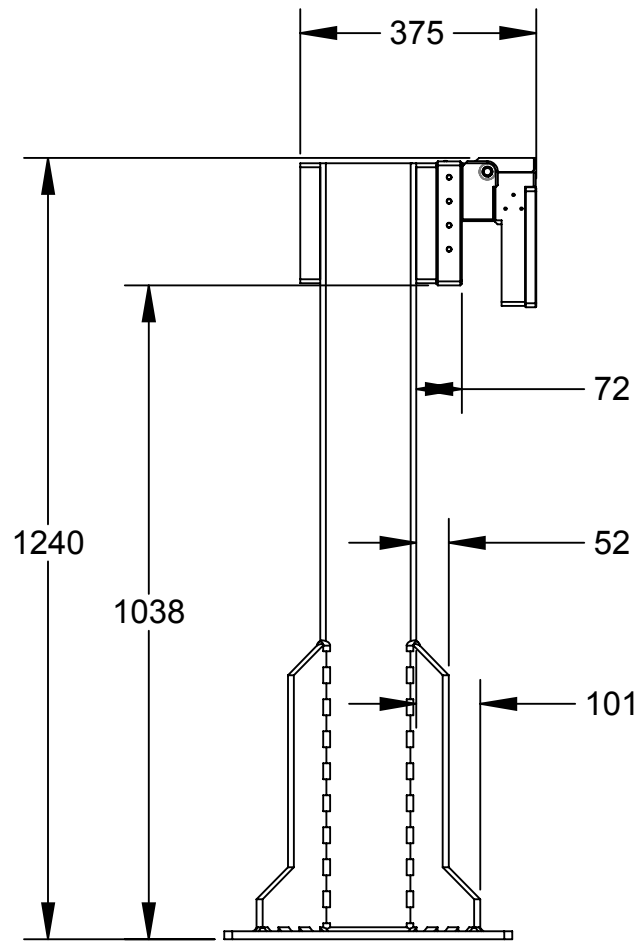
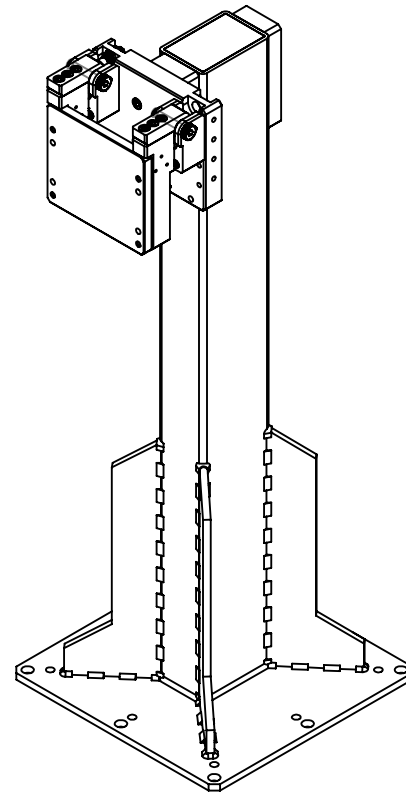
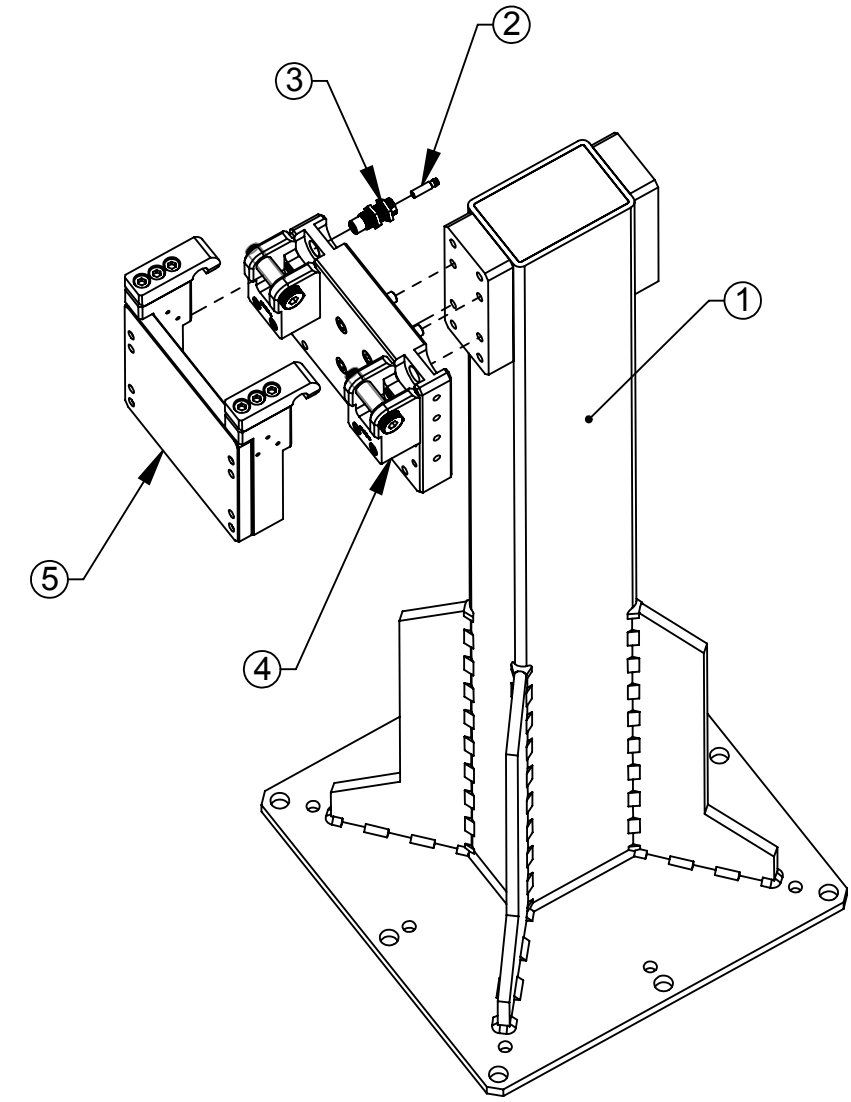
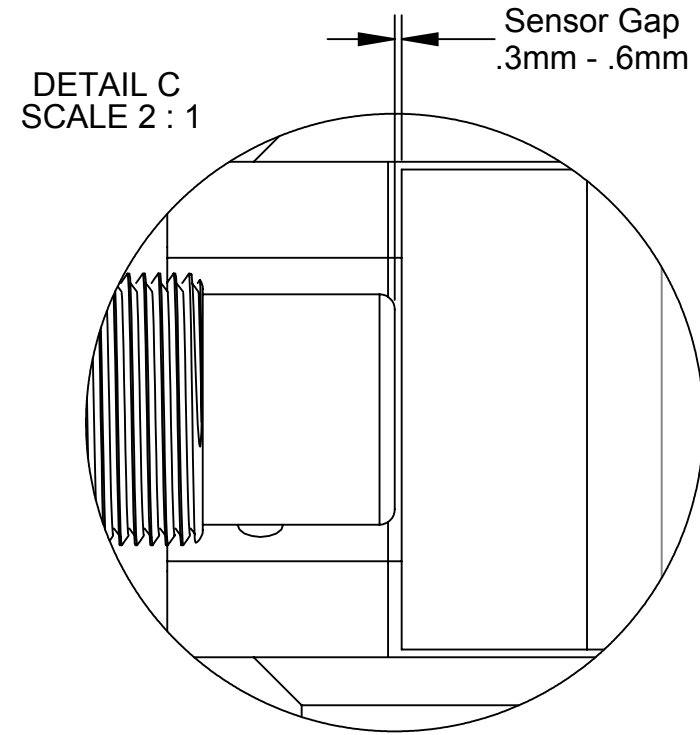


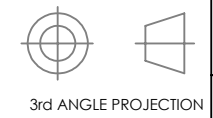
Rev.	Description	Initiator	Date
01	Initial Drawing	MDP	7/17/2012
02	Eco 13945: Replaced 9120-TSL-CMH-C500 with 9120-TSL-CMH-R000	LCS	11/18/2015



ITEM NO.	QTY.	PART NUMBER	DESCRIPTION
1	1	3700-20-5480	Stand Post Weldment 48" High
2	1	8590-9909999-08	PNP Proximity Sensor
3	1	9005-20-2029	TSL Sensor Carrier Assembly
4	1	9120-TSL-CMH-R000	TSL Hanger Module, Rigid
5	1	9121-TSL-TH-5641	TSL Tooling Hook Plate Assembly, Blank

NOTES: UNLESS OTHERWISE SPECIFIED.

DO NOT SCALE DRAWING. ALL DIMENSIONS ARE IN MILLIMETERS.



1031 Goodworth Drive, Apex, NC 27539, USA
 Tel: +1.919.772.0115 Email: info@ati-ia.com
 Fax: +1.919.772.8259 www.ati-ia.com
 ISO 9001 Registered Company

PROPERTY OF ATI INDUSTRIAL AUTOMATION, INC. NOT TO BE REPRODUCED IN ANY MANNER EXCEPT ON ORDER OR WITH PRIOR WRITTEN AUTHORIZATION OF ATI.

DRAWN BY: M. Perrault 7/17/12		TITLE	
CHECKED BY: D. Norton 8/13/12		TSL Stand Alone Hook Assembly with New Sensor Carrier	
PROJECT #	120117-1	SHEET	1 OF 1
SCALE	1:20	SIZE	B
DRAWING NUMBER	9230-20-7548	REVISION	02