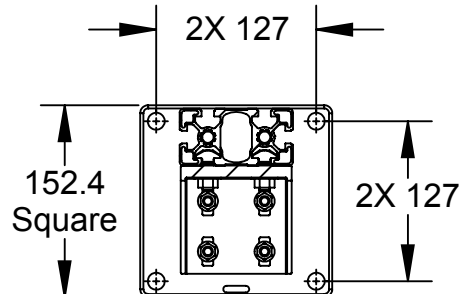
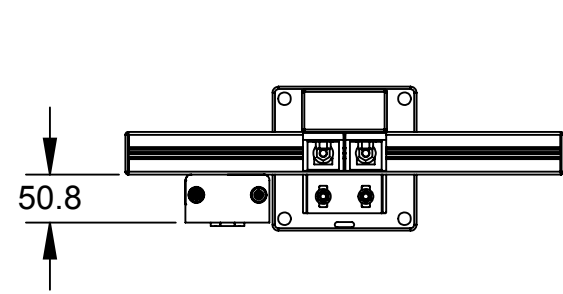
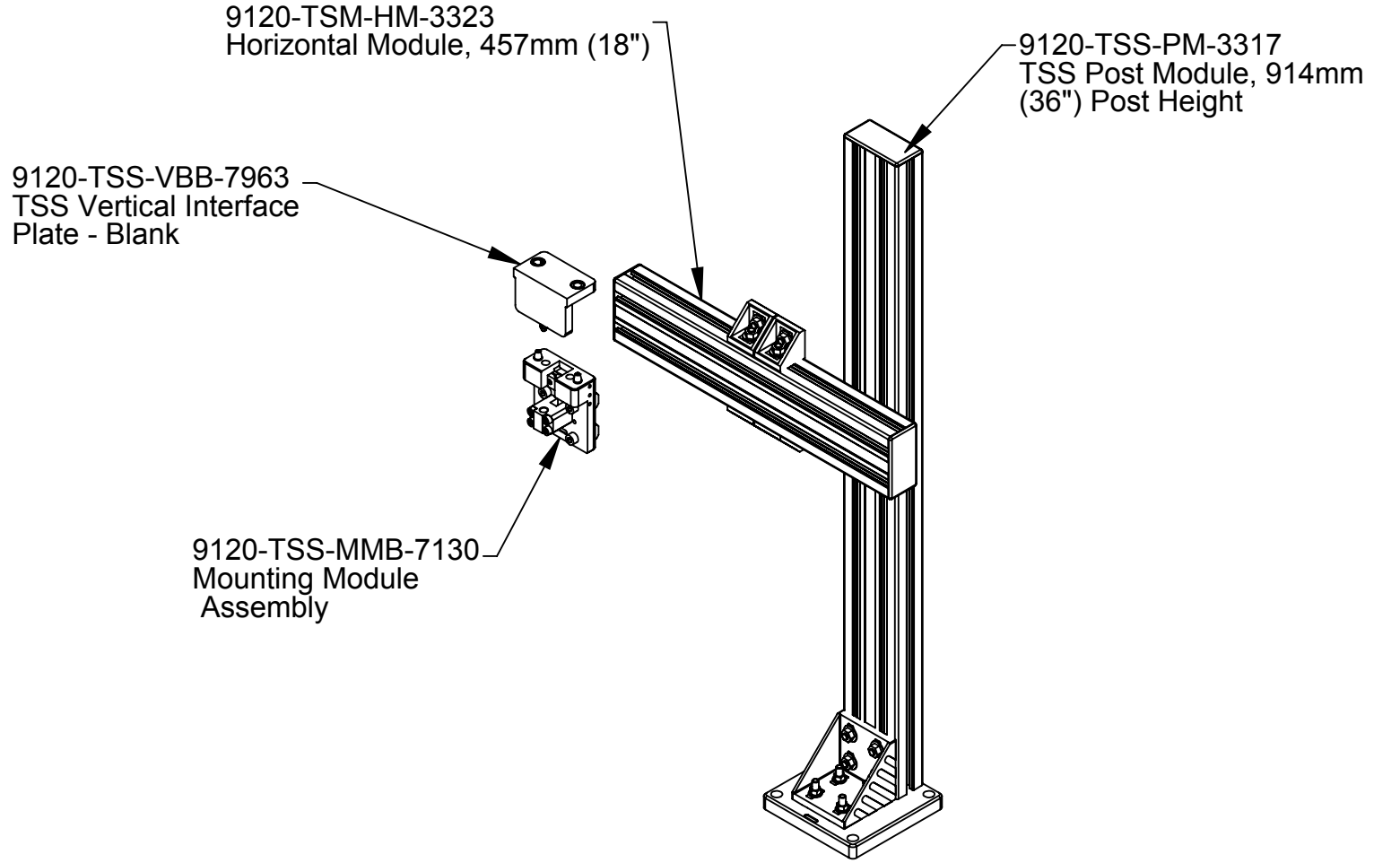
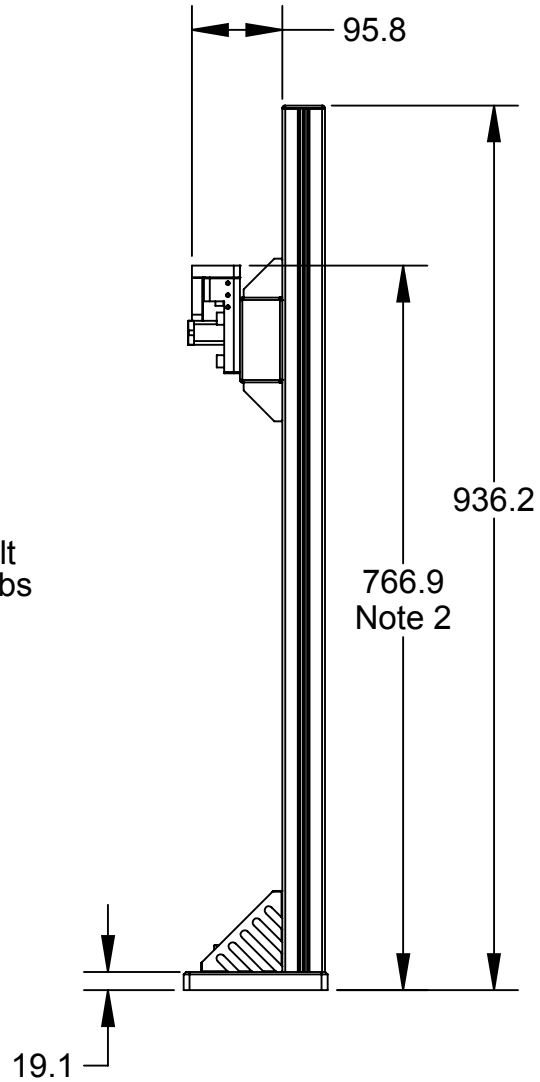
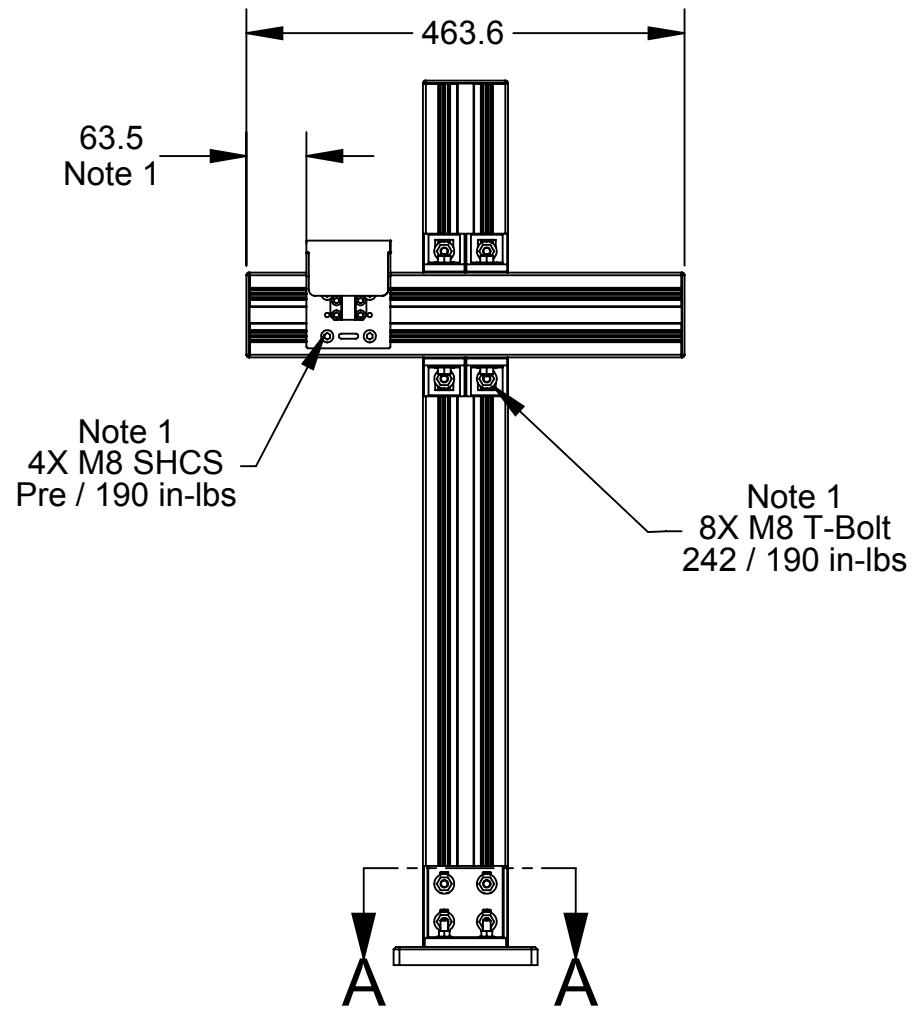


Rev.	Description	Initiator	Date
06	ECO 12682; Changed "Vertical Tooling Interface Plate - Blank" Note To "TSS Vertical Interface Plate - Blank" & "Tool Stand Post Module" Note To "TSS Post Module, 914mm (36") Post Height"	TBC	10/17/2014



SECTION A-A

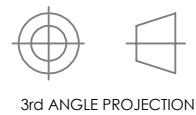


Notes:

1. Dry fasteners installed hand tight on tool stand for shipment. Customer to set final placement and Loctite with suggested or similar thread locker and torque to recommended torque value.
2. Tool Stand Assembly to be shipped on a common pallet as one unit. 9120-TSS-VBB-7963 shipped loose.

NOTES: UNLESS OTHERWISE SPECIFIED.

DO NOT SCALE DRAWING. ALL DIMENSIONS ARE IN MILLIMETERS.



1031 Goodworth Drive, Apex, NC 27539, USA
 Tel: +1.919.772.0115 Email: info@ati-ia.com
 Fax: +1.919.772.8259 www.ati-ia.com
 ISO 9001 Registered Company

PROPERTY OF ATI INDUSTRIAL AUTOMATION, INC. NOT TO BE REPRODUCED IN ANY MANNER EXCEPT ON ORDER OR WITH PRIOR WRITTEN AUTHORIZATION OF ATI.

DRAWN BY: D.Brewer, 3/24/12		TITLE	
CHECKED BY: J.Winterroth 4/18/12		TSS Tool Stand - Blank Tool Plate	
PROJECT # 110516-1	SHEET 1 OF 1	SCALE 1:20	SIZE B
DRAWING NUMBER 9230-20-7499		REVISION 06	