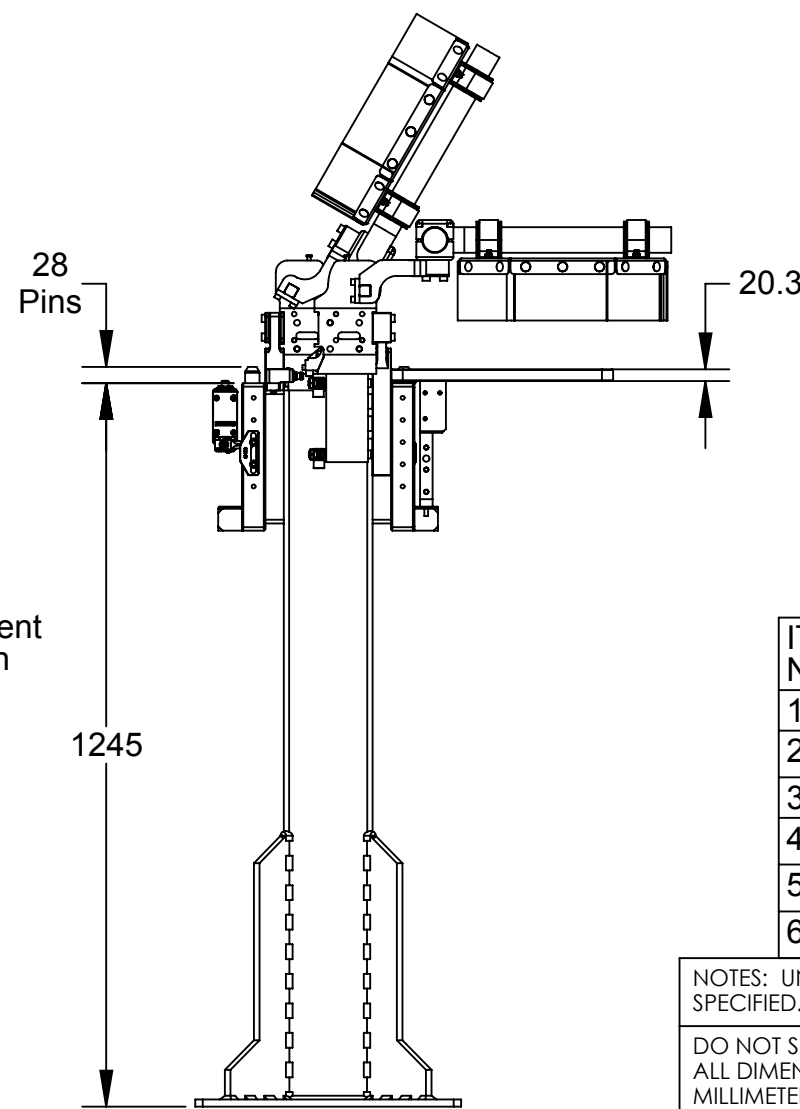
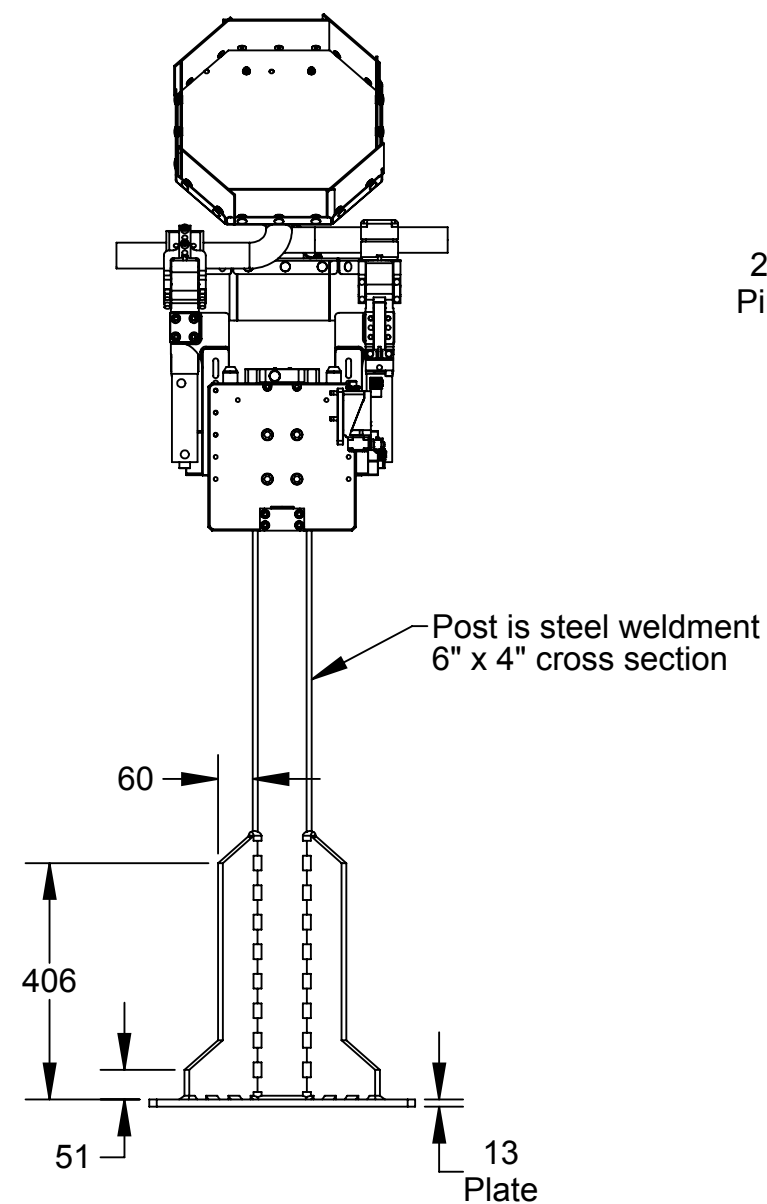
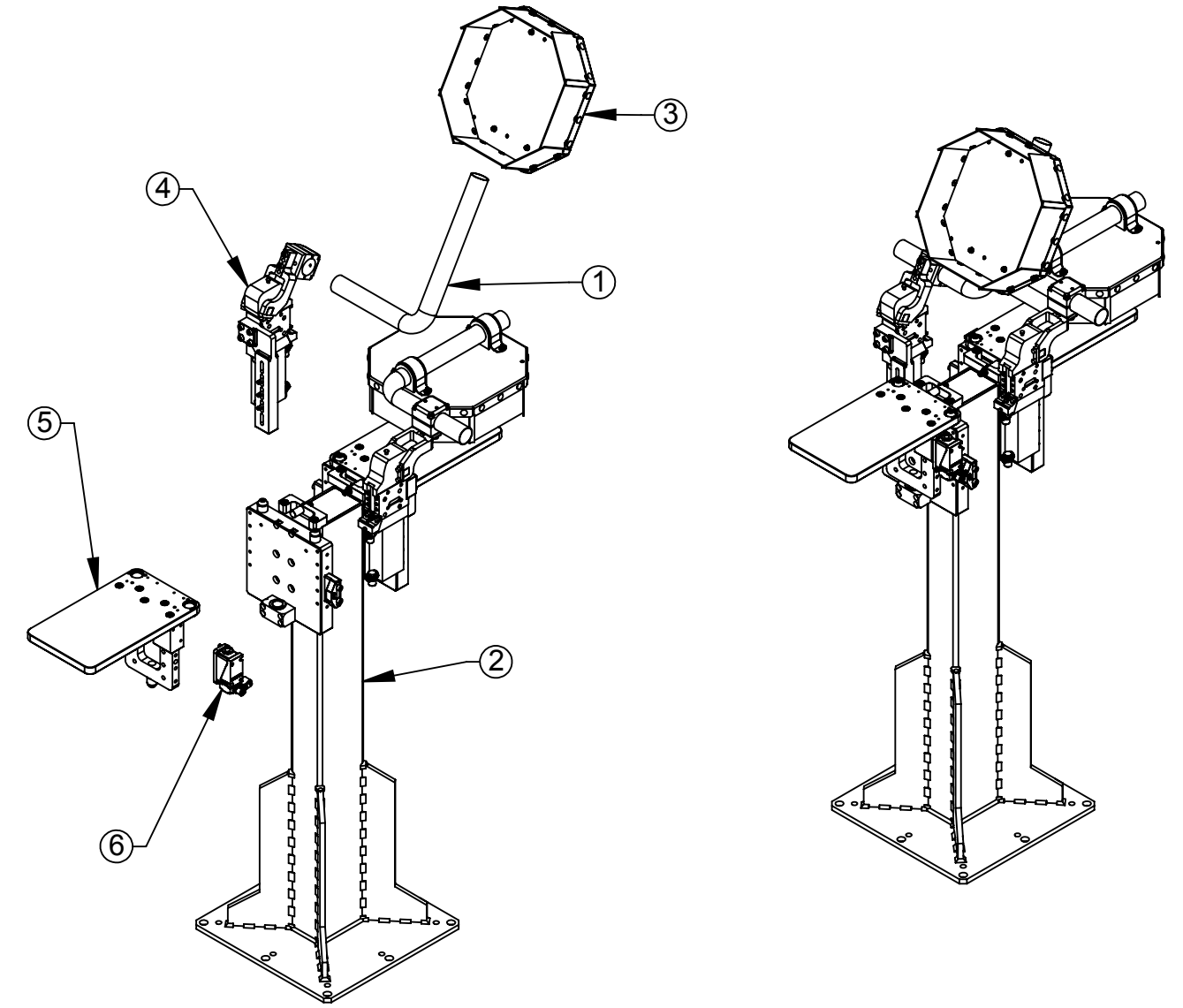
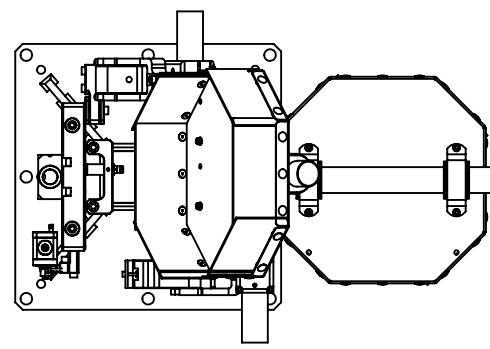
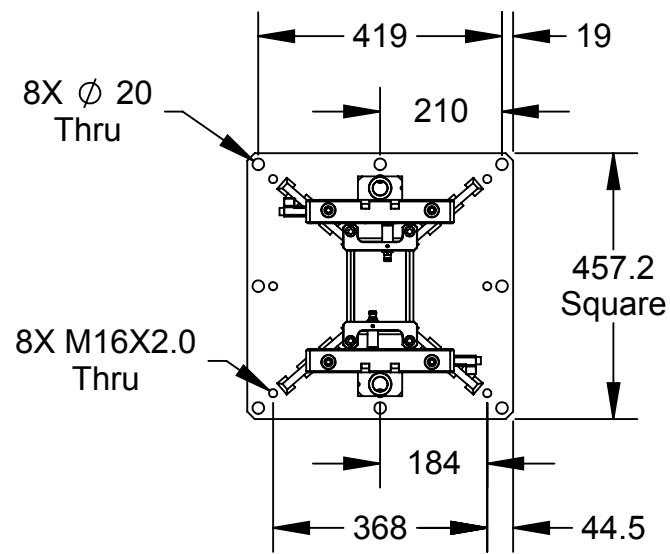


Rev.	Description	Initiator	Date
02	Drawing Update	DAN	11/4/2015

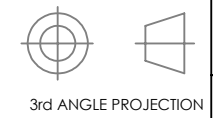


ITEM NO.	QTY	PART NUMBER	DESCRIPTION
1	2	3700-20-3376	Tool Stand Shield Arm
2	1	9120-TSL-ASY-7615	TSL Dual Stand - 48" High, R000 w/ SMA & SS
3	2	9120-TSL-DS-14-W3337	TSL Debris Shield, 14" Wide, Weld Curtain
4	2	9120-TSL-DSA-120-7511	Shield Actuator, 120° Swing
5	2	9120-TSL-HBB-4115	TSL Tooling Interface Plate - Blank
6	2	9120-TSL-SS-8026	TSI Tool Stand Interlock Switch Assembly - No Trip Dog

NOTES: UNLESS OTHERWISE SPECIFIED.
DO NOT SCALE DRAWING. ALL DIMENSIONS ARE IN MILLIMETERS.

1031 Goodworth Drive, Apex, NC 27539, USA
Tel: +1.919.772.0115 Email: info@ati-ia.com
Fax: +1.919.772.8259 www.ati-ia.com
ISO 9001 Registered Company

PROPERTY OF ATI INDUSTRIAL AUTOMATION, INC. NOT TO BE REPRODUCED IN ANY MANNER EXCEPT ON ORDER OR WITH PRIOR WRITTEN AUTHORIZATION OF ATI.



DRAWN BY: D. Swanson 8/1/13		TITLE	
CHECKED BY: D. Wagner 8/2/13		TSL Assembly: ASY-7615, TP-4104, SS-8026, DSA-120-7511, 3700-20-3376 and DS-14-F4592	
PROJECT # -	SHEET 1 OF 1	SCALE	REVISION
		1:13	02
		SIZE	DRAWING NUMBER
		B	9230-20-4223