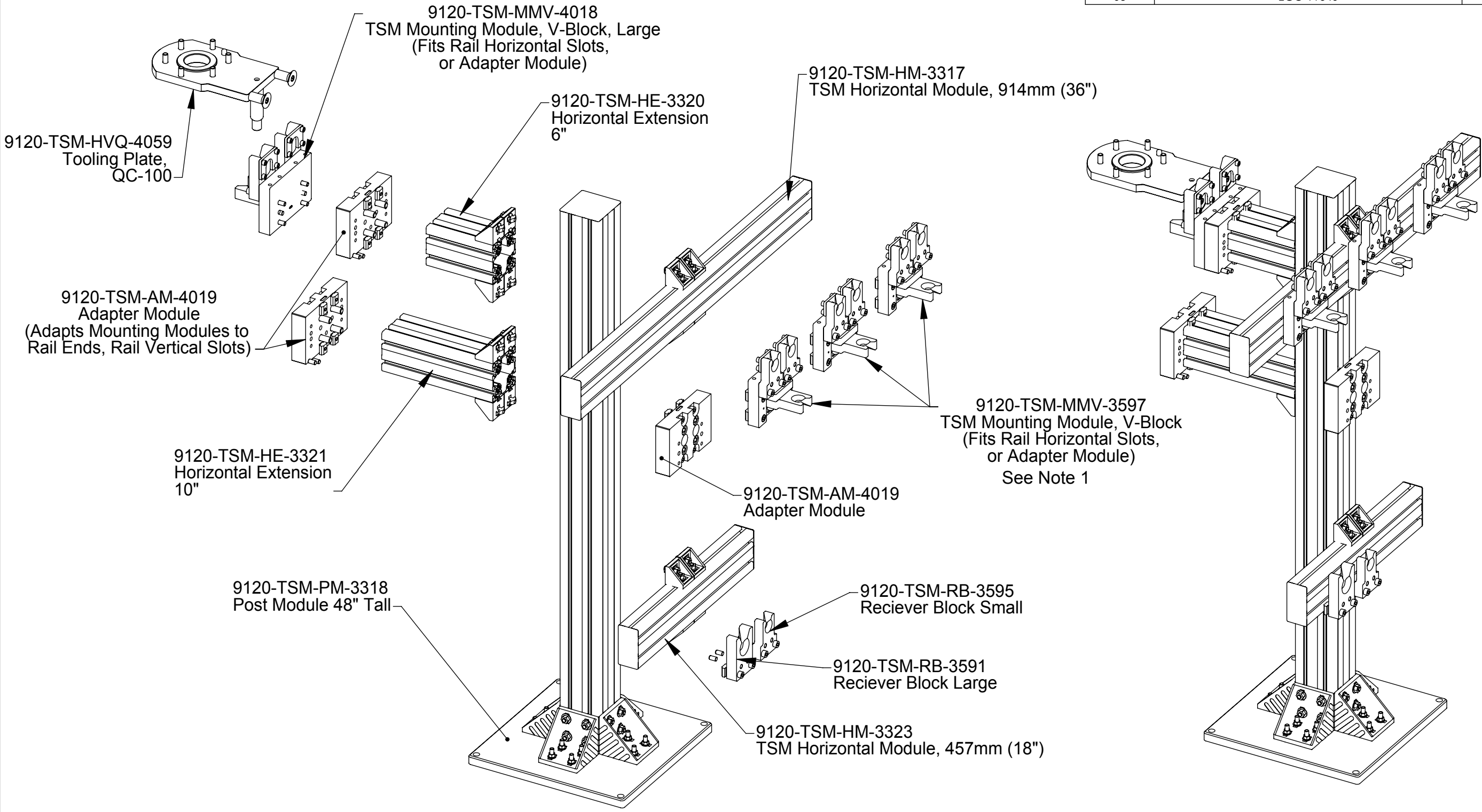


Rev.	Description	Initiator	Date
01	Initial Drawing	DAN	4/20/04
02	ECO 9908; Removed slots on Base Plate.	JDB/MSD	07/16/2012
03	ECO 11640	ERDO	12/10/2013

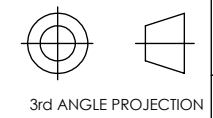


Notes:

Number of Tools to be installed per Tool size should be confirmed with application engineering prior to sales order.

NOTES: UNLESS OTHERWISE SPECIFIED.

DO NOT SCALE DRAWING. ALL DIMENSIONS ARE IN MILLIMETERS.



1031 Goodworth Drive, Apex, NC 27539, USA
 Tel: +1.919.772.0115 Email: info@ati-ia.com
 Fax: +1.919.772.8259 www.ati-ia.com
 ISO 9001 Registered Company

PROPERTY OF ATI INDUSTRIAL AUTOMATION, INC. NOT TO BE REPRODUCED IN ANY MANNER EXCEPT ON ORDER OR WITH PRIOR WRITTEN AUTHORIZATION OF ATI.

DRAWN BY: Dan Norton 4/20/04		TITLE	
CHECKED BY: JWinterroth 10/11/12		Medium Tool Stand General Overview	
PROJECT # 031217-1	SHEET 1 OF 1	SCALE 1:8	SIZE B
		DRAWING NUMBER 9230-20-1880	REVISION 03