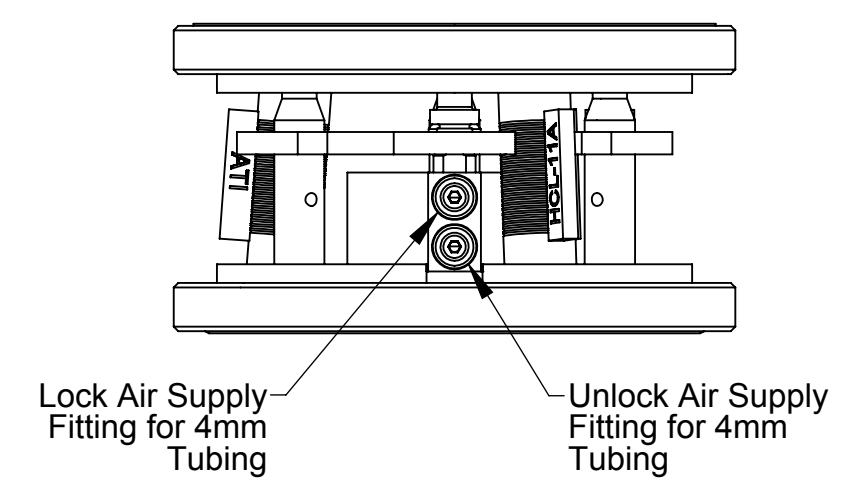
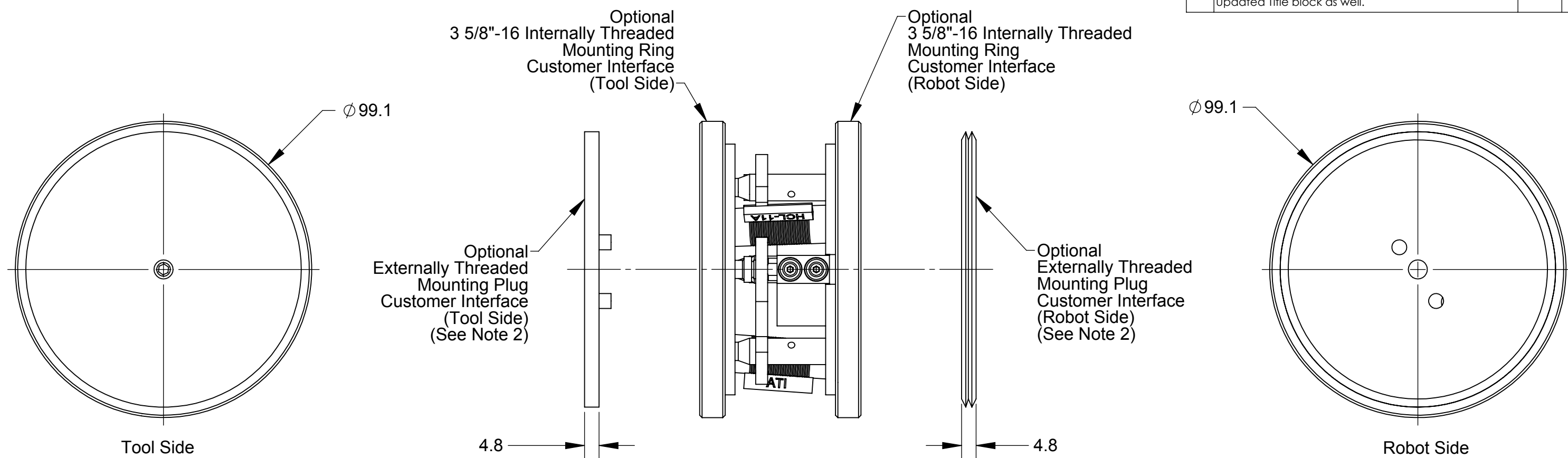


Rev.	Description	Initiator	Date
04	ECO 15991: Replaced 3405-1220003-01 with 3405-1210024-01. Removed revision block from sheet 2. Updated Title block as well.	TBC	8/14/2017

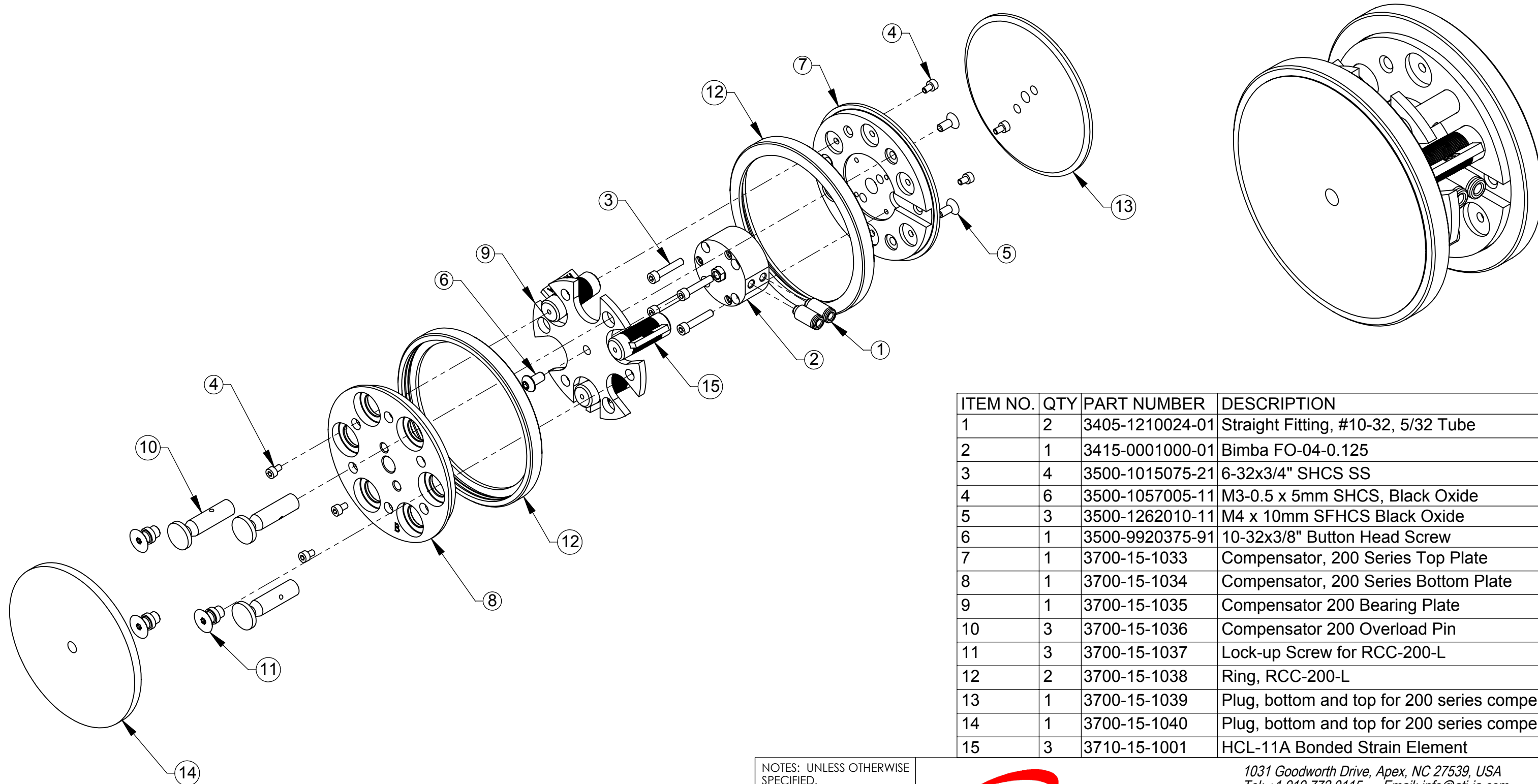


Part Number: 9115-211-A-B-L

- Notes:
1. Unit shown with optional Lock-up, mounting rings and mounting plugs.
 2. Mounting plugs are blank. Customer must machine interface pattern.

NOTES: UNLESS OTHERWISE SPECIFIED. DO NOT SCALE DRAWING. ALL DIMENSIONS ARE IN MILLIMETERS.			1031 Goodworth Drive, Apex, NC 27539, USA Tel: +1.919.772.0115 Email: info@ati-ia.com Fax: +1.919.772.8259 www.ati-ia.com ISO 9001 Registered Company	
	DRAWN BY: P.Sparrow, 12/19/05 CHECKED BY: J.Snape, 1/4/06		TITLE Compensator 9115 Series 200 w/Lock-up, Rings & Plugs	
	PROJECT # 031125-2 SHEET 1 OF 2	SCALE 3:4	SIZE B	DRAWING NUMBER 9230-15-1035
				REVISION 04

PROPERTY OF ATI INDUSTRIAL AUTOMATION, INC. NOT TO BE REPRODUCED IN ANY MANNER EXCEPT ON ORDER OR WITH PRIOR WRITTEN AUTHORIZATION OF ATI.



ITEM NO.	QTY	PART NUMBER	DESCRIPTION
1	2	3405-1210024-01	Straight Fitting, #10-32, 5/32 Tube
2	1	3415-0001000-01	Bimba FO-04-0.125
3	4	3500-1015075-21	6-32x3/4" SHCS SS
4	6	3500-1057005-11	M3-0.5 x 5mm SHCS, Black Oxide
5	3	3500-1262010-11	M4 x 10mm SFHCS Black Oxide
6	1	3500-9920375-91	10-32x3/8" Button Head Screw
7	1	3700-15-1033	Compensator, 200 Series Top Plate
8	1	3700-15-1034	Compensator, 200 Series Bottom Plate
9	1	3700-15-1035	Compensator 200 Bearing Plate
10	3	3700-15-1036	Compensator 200 Overload Pin
11	3	3700-15-1037	Lock-up Screw for RCC-200-L
12	2	3700-15-1038	Ring, RCC-200-L
13	1	3700-15-1039	Plug, bottom and top for 200 series compensator
14	1	3700-15-1040	Plug, bottom and top for 200 series compensator
15	3	3710-15-1001	HCL-11A Bonded Strain Element

NOTES: UNLESS OTHERWISE SPECIFIED.

DO NOT SCALE DRAWING. ALL DIMENSIONS ARE IN MILLIMETERS.



3rd ANGLE PROJECTION



1031 Goodworth Drive, Apex, NC 27539, USA
 Tel: +1.919.772.0115 Email: info@ati-ia.com
 Fax: +1.919.772.8259 www.ati-ia.com
 ISO 9001 Registered Company

PROPERTY OF ATI INDUSTRIAL AUTOMATION, INC. NOT TO BE REPRODUCED IN ANY MANNER EXCEPT ON ORDER OR WITH PRIOR WRITTEN AUTHORIZATION OF ATI.

DRAWN BY: P.Sparrow, 12/19/05		TITLE	
CHECKED BY: J.Snape, 1/4/06		Compensator 9115 Series 200 w/Lock-up, Rings & Plugs	
PROJECT #	031125-2	SHEET	2 OF 2
SCALE	3:4	SIZE	B
DRAWING NUMBER	9230-15-1035	REVISION	04