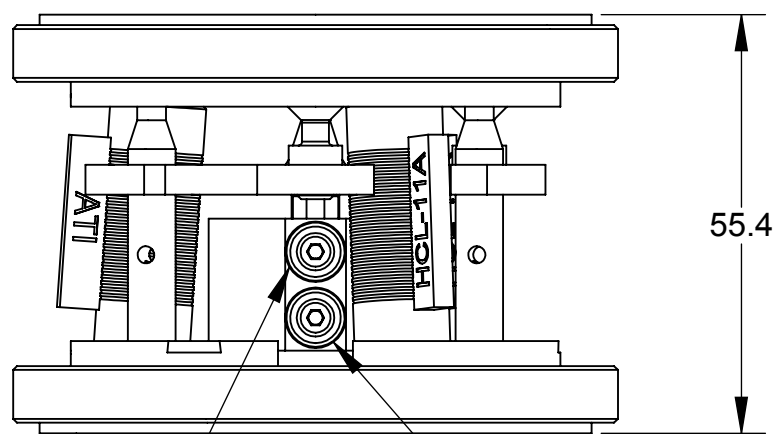
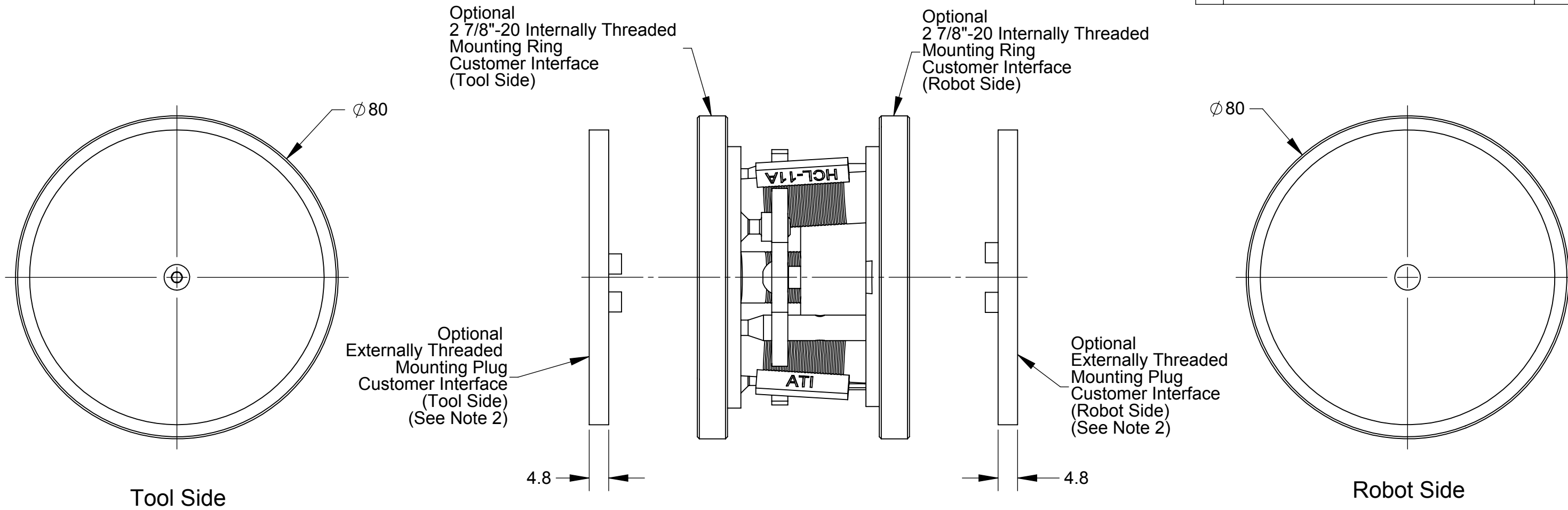


Rev.	Description	Initiator	Date
04	ECO 15991: Replaced 3405-1220003-01 with 3405-1210024-01. Removed revision block from sheet 2. Updated Title block as well.	TBC	8/14/2017



Lock Air Supply Fitting for 4mm Tubing

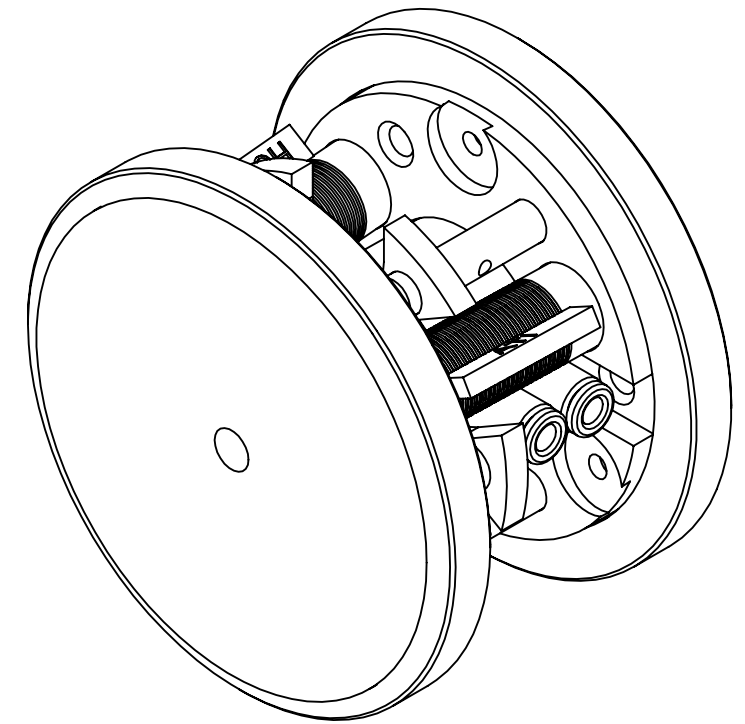
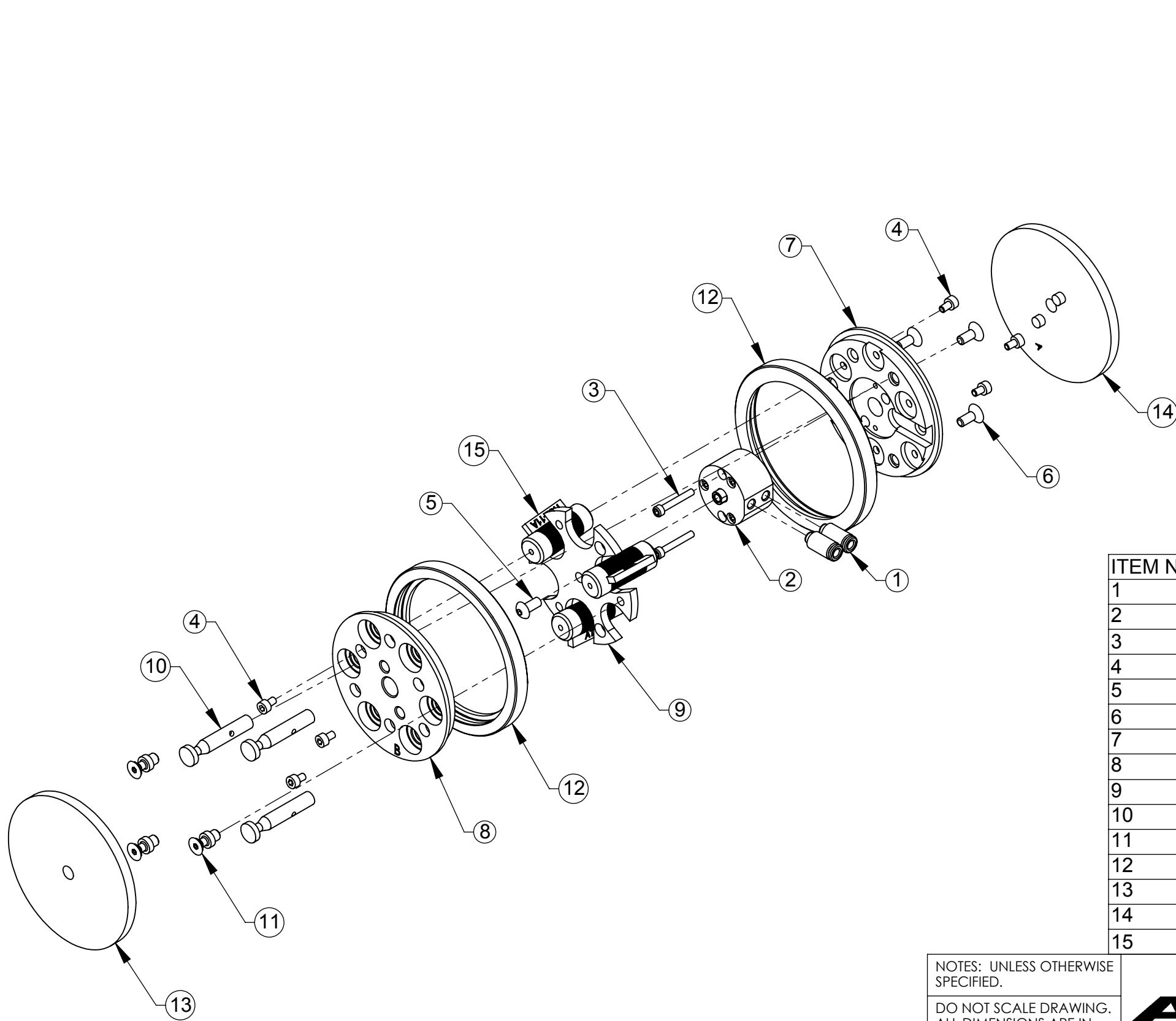
Unlock Air Supply Fitting for 4mm Tubing

Part Number: 9115-111-A-B-L

- Notes:
- Unit shown with optional Lock-up, mounting rings and mounting plugs .
 - Mounting plugs are blank. Customer must machine interface pattern.

NOTES: UNLESS OTHERWISE SPECIFIED. DO NOT SCALE DRAWING. ALL DIMENSIONS ARE IN MILLIMETERS.			1031 Goodworth Drive, Apex, NC 27539, USA Tel: +1.919.772.0115 Email: info@ati-ia.com Fax: +1.919.772.8259 www.ati-ia.com ISO 9001 Registered Company		
	DRAWN BY: P. Sparrow, 12/21/05 CHECKED BY: J.Snape 1/4/06		TITLE Compensator 9115 Series 100 w/ Lock-up, Rings & Plugs		
 3rd ANGLE PROJECTION	PROJECT # 031125-2 SHEET 1 OF 2	SCALE 1:1	SIZE B	DRAWING NUMBER 9230-15-1032	REVISION 04

PROPERTY OF ATI INDUSTRIAL AUTOMATION, INC. NOT TO BE REPRODUCED IN ANY MANNER EXCEPT ON ORDER OR WITH PRIOR WRITTEN AUTHORIZATION OF ATI.



ITEM NO.	QTY.	PART NUMBER	DESCRIPTION
1	2	3405-1210024-01	Straight Fitting, #10-32, 5/32 Tube
2	1	3415-0001001-01	Air Cylinder
3	2	3500-1010075-11	SHCS, 4-40 X 3/4
4	6	3500-1057005-11	M3-0.5 x 5mm SHCS, Black Oxide
5	1	3500-1117037-16	8-32 x 3/8" SBHS, nylon patch
6	3	3500-1262010-11	M4 x 10mm SFHCS Black Oxide
7	1	3700-15-1023	Compensator, 100 Series Top Plate
8	1	3700-15-1024	Compensator, 100 Series Bottom Plate
9	1	3700-15-1025	Compensator 100 Bearing Plate
10	3	3700-15-1026	Compensator 100 Overload Pin
11	3	3700-15-1027	Compensator 100 Lockup Screw
12	2	3700-15-1028	Ring, RCC-100-L
13	1	3700-15-1029	Compensator, 100 Bottom Plug
14	1	3700-15-1030	Compensator, 100 Top Plug
15	3	3710-15-1001	HCL-11A Bonded Strain Element

NOTES: UNLESS OTHERWISE SPECIFIED.

DO NOT SCALE DRAWING. ALL DIMENSIONS ARE IN MILLIMETERS.



3rd ANGLE PROJECTION



1031 Goodworth Drive, Apex, NC 27539, USA
 Tel: +1.919.772.0115 Email: info@ati-ia.com
 Fax: +1.919.772.8259 www.ati-ia.com
 ISO 9001 Registered Company

PROPERTY OF ATI INDUSTRIAL AUTOMATION, INC. NOT TO BE REPRODUCED IN ANY MANNER EXCEPT ON ORDER OR WITH PRIOR WRITTEN AUTHORIZATION OF ATI.

DRAWN BY: P. Sparrow, 12/21/05		TITLE		
CHECKED BY: J.Snape 1/4/06		Compensator 9115 Series 100 w/ Lock-up, Rings & Plugs		
PROJECT #	031125-2	SHEET	2	OF 2
SCALE	1:1	SIZE	B	DRAWING NUMBER
				9230-15-1032
				REVISION
				04