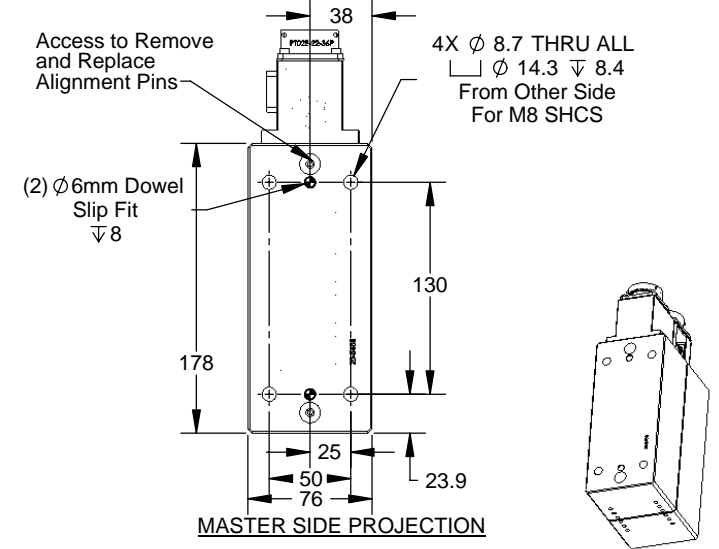
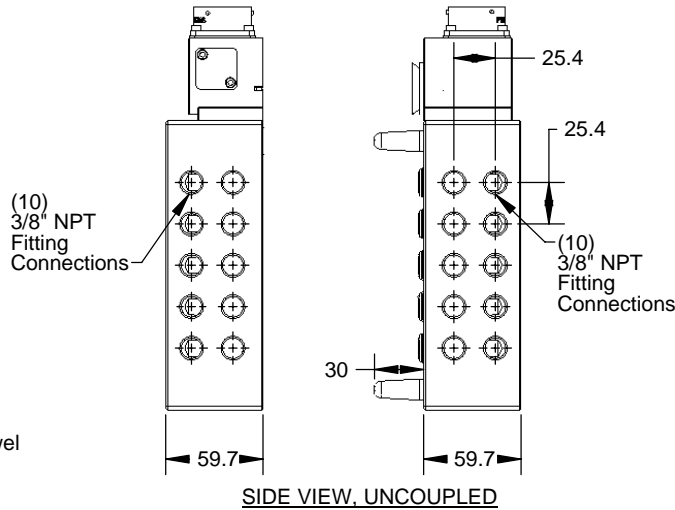
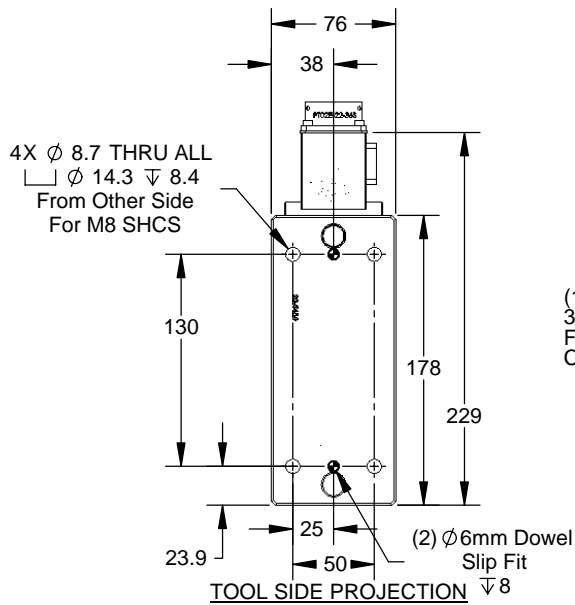


Rev.	Description	Initiator	Date
02	Updated Parts - Added Symmetry	DAN	2/12/08
03	Realigned components in assembly. Reattached dangling dimensions.	ATM	4/8/2011



**Part Numbers Shown:**

Master:  
9120-GA2-UCM-R32-000

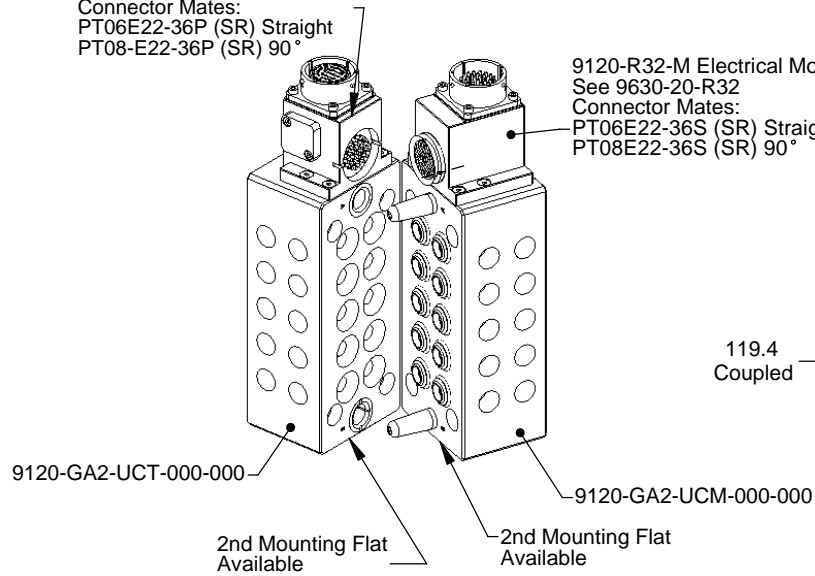
Tool:  
9120-GA2-UCT-R32-000

**NOTES:**

- Design is subject to change upon customer feedback
- GA2 Utility Coupler Arrangement Features (10) Pass Through Air Ports, and a 9120 R32 Module.
- Coupler Features 3/8" NPT Fitting Connections
- Materials of Construction: Anodized Aluminum Housings, Hardened Steel Alignment Features, Brass Seal Collars, Nitrile Seals.
- Coupler Requires External Driving Force to Remain Coupled
- Cv Rating for Pass Through Ports = 1.6
- Max Pass Through Air Port Pressure = 100psi (positive pressure or vacuum)

9120-R32-T Electrical Module  
See 9630-20-R32  
Connector Mates:  
PT06E22-36P (SR) Straight  
PT08-E22-36P (SR) 90°

9120-R32-M Electrical Module  
See 9630-20-R32  
Connector Mates:  
PT06E22-36S (SR) Straight  
PT08E22-36S (SR) 90°



NOTES: UNLESS OTHERWISE SPECIFIED.

DO NOT SCALE DRAWING. ALL DIMENSIONS ARE IN MILLIMETERS.



3rd ANGLE PROJECTION

1031 Goodworth Drive, Apex, NC 27539, USA  
Tel: +1.919.772.0115 Email: info@ati-ia.com  
Fax: +1.919.772.8259 www.ati-ia.com  
ISO 9001 Registered Company

PROPERTY OF ATI INDUSTRIAL AUTOMATION, INC. NOT TO BE REPRODUCED IN ANY MANNER EXCEPT ON ORDER OR WITH PRIOR WRITTEN AUTHORIZATION OF ATI.

DRAWN BY: Dan Norton 2/11/08		TITLE		REVISION	
CHECKED BY:		Utility Coupler, (10) 3/8" NPT Ports, R32		03	
PROJECT #	080130-1 SHEET 1 OF 1	SCALE	1:3	SIZE	B
		DRAWING NUMBER	9230-20-2728		