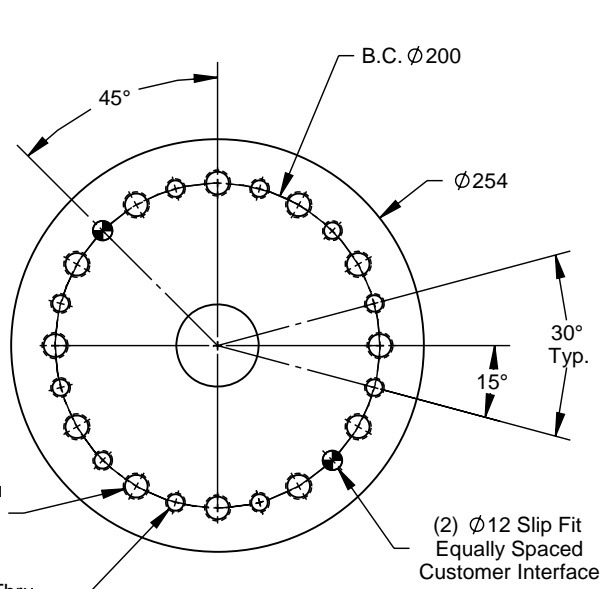
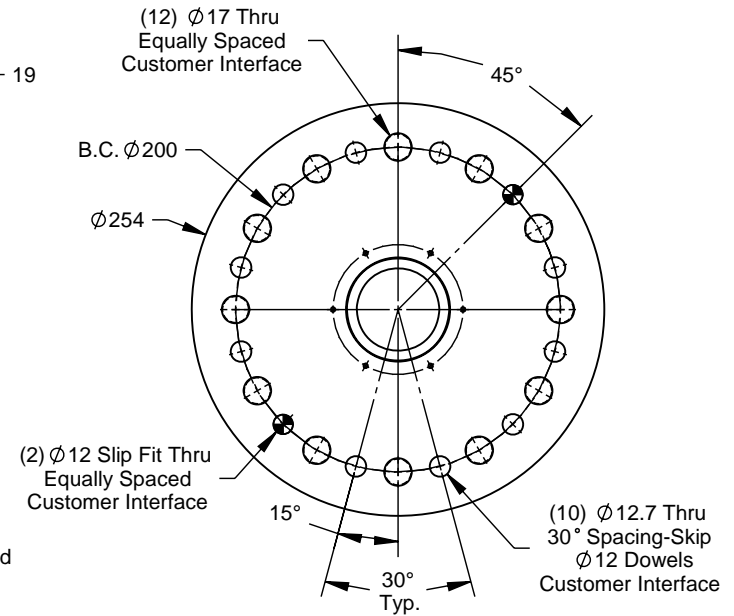
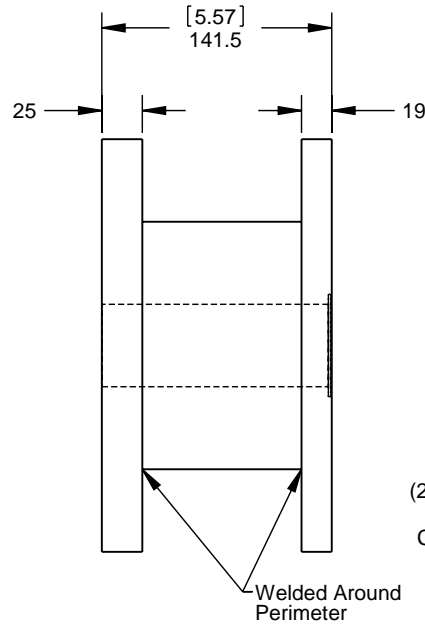


Rev.	Description	Initiator	Date
01	Initial Issue	JEW	2/12/2007



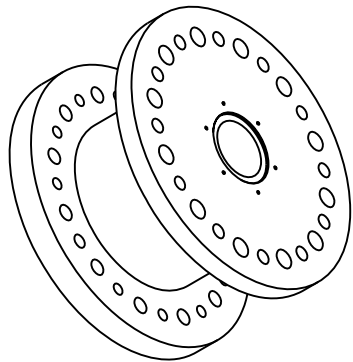
**Tool Side**



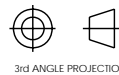
**Master Side**

**Notes:**

- Part # 9121-510-A-4955 shown without optional boss. Additional configurations including a boss plate on the master side are available.
- Welded by certified welder and magna flux inspected.



NOTES: UNLESS OTHERWISE SPECIFIED  
 DO NOT SCALE DRAWING. DRAWN IN SOLIDWORKS.  
 ALL DIMENSIONS ARE IN MILLIMETERS.



1031 Goodworth Drive, Apex, NC 27539, USA  
 Tel: +1.919.772.0115 Email: info@ati-ia.com  
 Fax: +1.919.772.8259 www.ati-ia.com  
 ISO 9001 Registered Company

DRAWN BY: J. Williams 2/12/07	TITLE: QC-510 Spacer Plate		
CHECKED BY: R. Heavner 2/21/07	SCALE: 1:5	SIZE: B	DRAWING NUMBER: 9230-20-2540-01
WEIGHT LBS: 61.306	PRODUCT RELEASE # 050316-2 DATE:		
ASSEMBLY REF:	SHEET 1 OF 1		