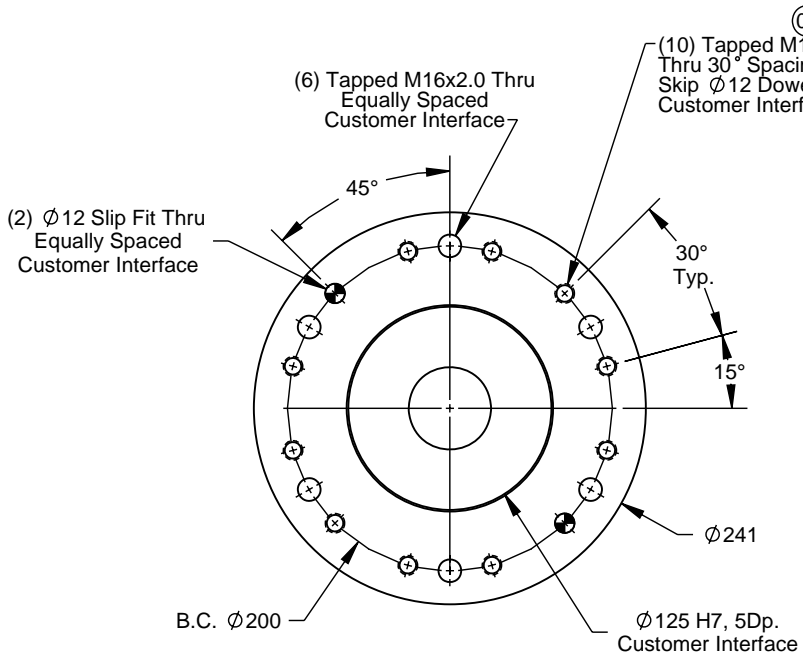
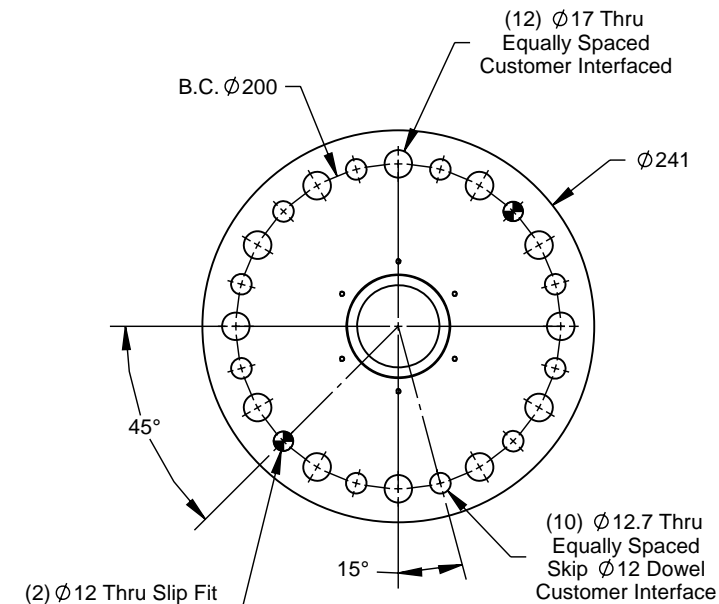
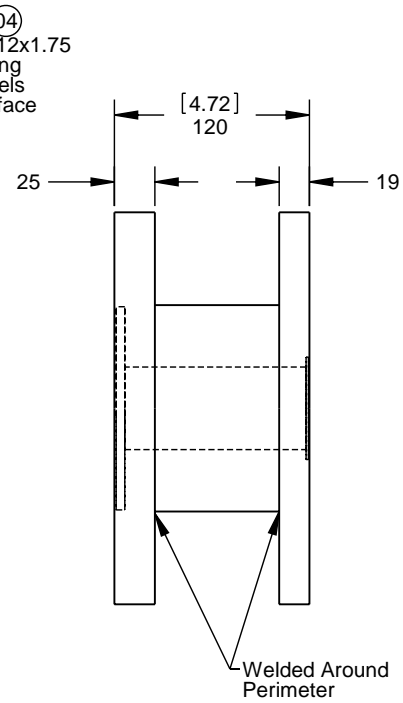


PROPERTY OF ATI INDUSTRIAL AUTOMATION, INC.
 NOT TO BE REPRODUCED IN ANY MANNER EXCEPT ON
 ORDER OR WITH PRIOR WRITTEN AUTHORIZATION OF ATI.

Rev.	Description	Initiator	Date
01	Initial Issue	JEW	2/9/2007
02	Updated part numbering information.	JEW	10/31/07
03	Removed "SP" from part numbering info.	JEW	1/30/2008
04	Changed M10 Tap note to M12.	JEW	9/11/2008



Tool Side



Master (Robot) Side

- Notes:**
- Part # 9121-310-A-4954 shown without optional boss. Additional configurations including a boss plate on the master side are available.
 - Welded by certified welder and magna flux inspected.

NOTES: UNLESS OTHERWISE SPECIFIED
 DO NOT SCALE DRAWING. DRAWN IN SOLIDWORKS.
 ALL DIMENSIONS ARE IN MILLIMETERS.



1031 Goodworth Drive, Apex, NC 27539, USA
 Tel: +1.919.772.0115 Email: info@ati-ia.com
 Fax: +1.919.772.8259 www.ati-ia.com
 ISO 9001 Registered Company

DRAWN BY: J. Williams 2/13/07	TITLE: QC-310 Spacer Plate		
CHECKED BY: R. Heavner 2/20/07	SCALE: 1:5	SIZE: B	DRAWING NUMBER: 9230-20-2539-04
WEIGHT LBS: 43.852	PRODUCT RELEASE # 050316-2 DATE:		
ASSEMBLY REF:	SHEET 1 OF 1		

