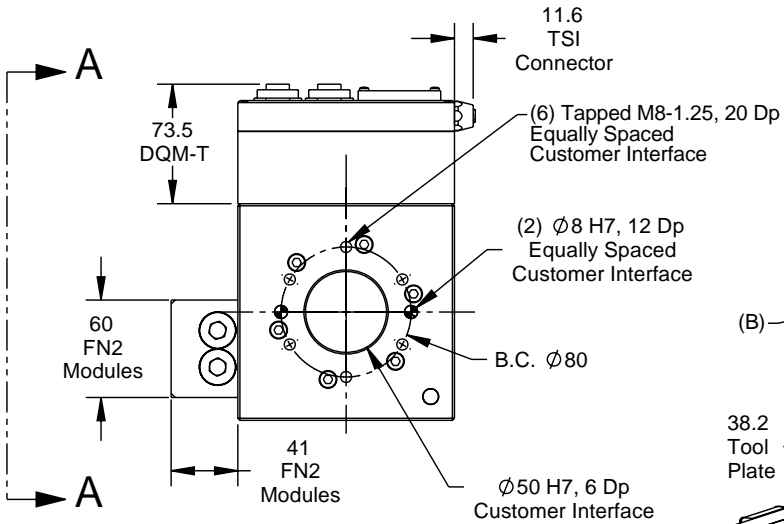


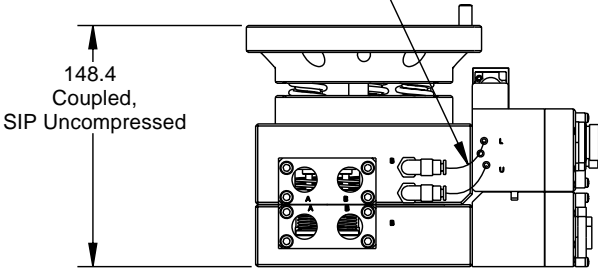
PROPERTY OF ATI INDUSTRIAL AUTOMATION, INC.
 NOT TO BE REPRODUCED IN ANY MANNER EXCEPT ON
 ORDER OR WITH PRIOR WRITTEN AUTHORIZATION OF ATI.

Part Numbers:
 (A) Master Assembly: 9120-062M-DQS-FN2-000-000
 (B) Tool Assembly: 9120-062T-DQM-FN2-000-000
 (C) Compliant SIP Assembly: 9120-062M-CSIP-G-5000

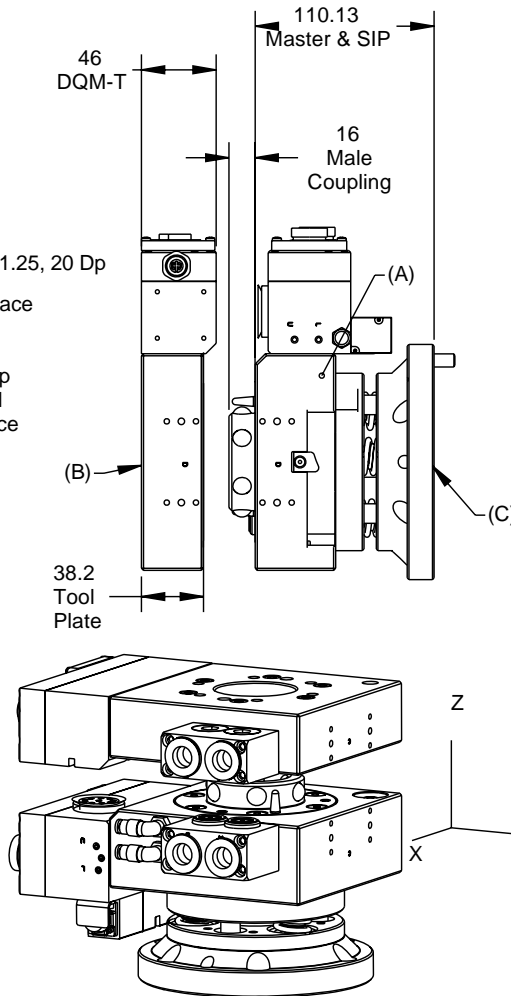


**Tool Side
 (projection only)**

Factory Plumbed for
 Lock/UnLock



**View A-A
 (Removed and Rotated)**

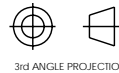


**Master Side
 (projection only)**

Notes:

1. The DeviceNet modules come with Standard "Mini-Style" Connectors, 4-Pin for Auxiliary Power and 5-Pin for Bus Communications.
2. The FN2 modules have (2) 3/8 NPT checked ports.
3. Maximum X-Y misalignment of System: +/-2mm
 Maximum X-Y misalignment Compliant SIP alone: +/-4mm
 Maximum Z compliance of System: 7.6mm

NOTES: UNLESS OTHERWISE SPECIFIED
 DO NOT SCALE DRAWING. DRAWN IN SOLIDWORKS.
 ALL DIMENSIONS ARE IN MILLIMETERS.



1031 Goodworth Drive, Apex, NC 27502, USA
 Tel: +1.919.772.0115 Email: info@ati-ia.com
 Fax: +1.919.772.8259 www.ati-ia.com
 ISO 9001 Registered Company

DRAWN BY: Dan Norton, 9/22/06		TITLE: QC-62 with DQS/DQM, FN2, and SIP-G-5000	
CHECKED BY: _____		DRAWING NUMBER: 9230-20-2477-01	
WEIGHT LBS.: 16.3	SCALE: 1:3	SIZE: B	PRODUCT RELEASE #
ASSEMBLY REF:	DATE:		SHEET 1 OF 1