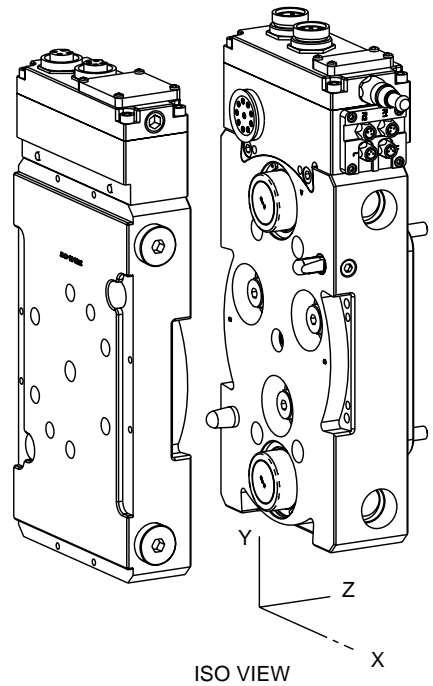
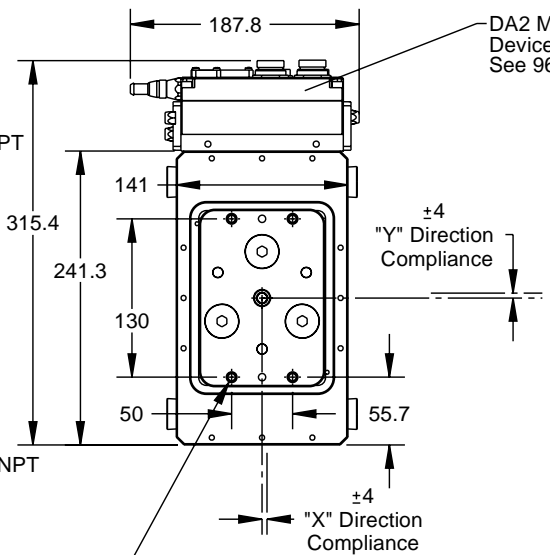
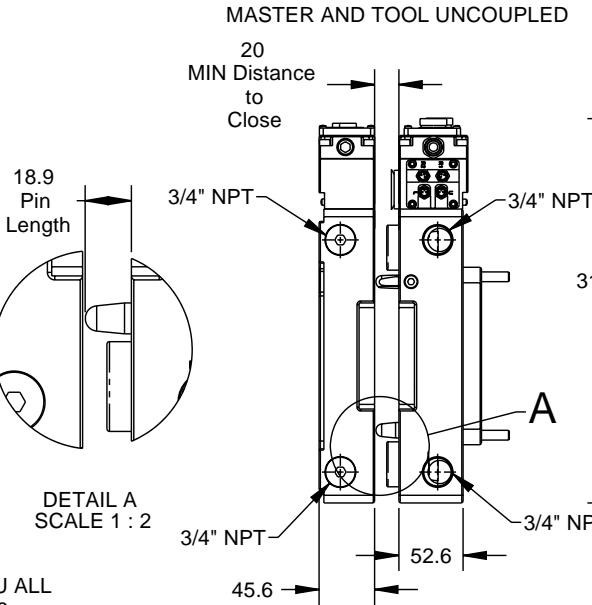
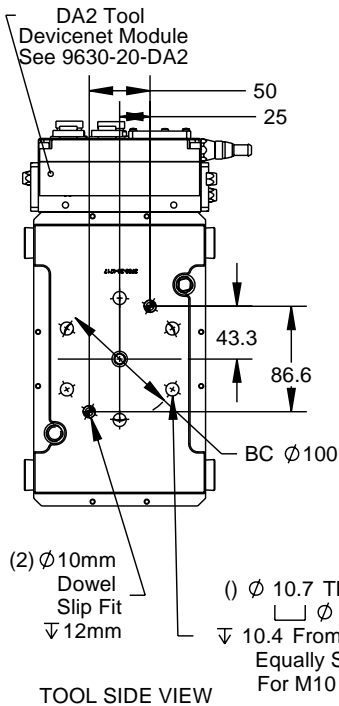
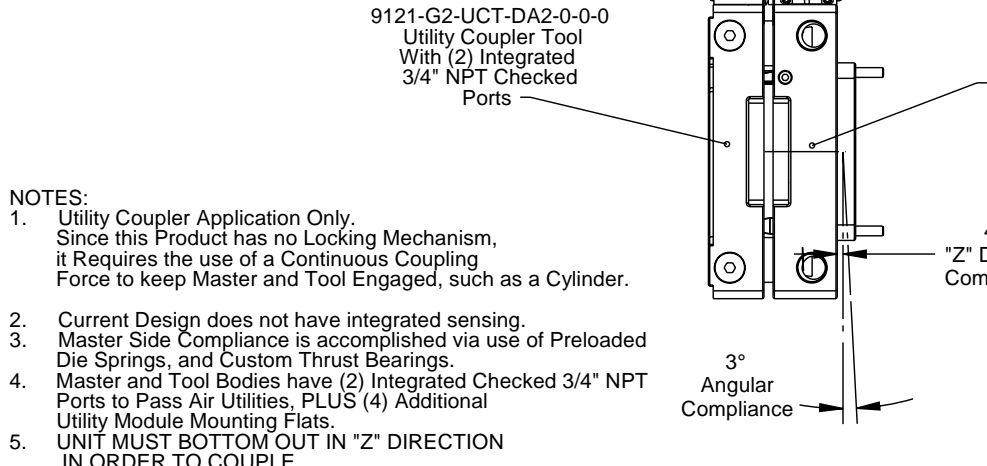


Rev.	Description	Initiator	Date
02	Drawing Update, Added Note 5	DAN	10/9/06



() Ø 10.7 THRU ALL
 └─┬─┘ Ø 17.3
 ↓ 10.4 From Other Side
 Equally Spaced
 For M10 SHCS



- NOTES:
- Utility Coupler Application Only. Since this Product has no Locking Mechanism, it Requires the use of a Continuous Coupling Force to keep Master and Tool Engaged, such as a Cylinder.
 - Current Design does not have integrated sensing.
 - Master Side Compliance is accomplished via use of Preloaded Die Springs, and Custom Thrust Bearings.
 - Master and Tool Bodies have (2) Integrated Checked 3/4" NPT Ports to Pass Air Utilities, PLUS (4) Additional Utility Module Mounting Flats.
 - UNIT MUST BOTTOM OUT IN "Z" DIRECTION IN ORDER TO COUPLE

NOTES: UNLESS OTHERWISE SPECIFIED

DO NOT SCALE DRAWING. DRAWN IN SOLIDWORKS. ALL DIMENSIONS ARE IN MILLIMETERS.

3rd ANGLE PROJECTION



1031 Goodworth Drive, Apex, NC 27539, USA
Tel: +1.919.772.0115 Email: info@ati-ia.com
Fax: +1.919.772.8259 www.ati-ia.com
ISO 9001 Registered Company

DRAWN BY: Dan Norton 3/31/06	TITLE: Compliant Utility Coupler (Lifter Application)		
CHECKED BY: -----	SCALE: 1:4	SIZE: B	DRAWING NUMBER: 9230-20-2389-02
WEIGHT LBS: -----	PRODUCT RELEASE # ----- DATE: SHEET 1 OF 1		
ASSEMBLY REF: -----			

PROPERTY OF ATI INDUSTRIAL AUTOMATION, INC.
NOT TO BE REPRODUCED IN ANY MANNER EXCEPT ON ORDER OR WITH PRIOR WRITTEN AUTHORIZATION OF ATI.